

# Air-Conditioners



## SEZ-KD25, KD35, KD50, KD60, KD71 VAQ

### OPERATION MANUAL

**FOR USER**

For safe and correct use, please read this operation manual thoroughly before operating the air-conditioner unit.

### BEDIENUNGSHANDBUCH

**FÜR BENUTZER**

Zum sicheren und einwandfreien Gebrauch der Klimaanlage dieses Bedienungshandbuch vor Inbetriebnahme gründlich durchlesen.

### MANUEL D'UTILISATION

**POUR L'UTILISATEUR**

Pour une utilisation correcte sans risques, veuillez lire le manuel d'utilisation en entier avant de vous servir du climatiseur.

### MANUAL DE INSTRUCCIONES

**PARA EL USUARIO**

Lea este manual de instrucciones hasta el final antes de poner en marcha la unidad de aire acondicionado para garantizar un uso seguro y correcto.

### ISTRUZIONI DI FUNZIONAMENTO

**PER L'UTENTE**

Leggere attentamente questi istruzioni di funzionamento prima di avviare l'unità, per un uso corretto e sicuro della stessa.

### BEDIENINGSHANDLEIDING

**VOOR DE GEBRUIKER**

Voor een veilig en juist gebruik moet u deze bedieningshandleiding grondig doorlezen voordat u de airconditioner gebruikt.

### DRIFTSMANUAL

**FÖR ANVÄNDAREN**

Läs denna driftsmanual noga för säkert och korrekt bruk innan luftkonditioneringen används.

### DRIFTSMANUAL

**TIL BRUGER**

Læs venligst denne driftsmanual grundigt før airconditionanlægget betjenes af hensyn til sikker og korrekt brug.

### MANUAL DE OPERAÇÃO

**PARA O UTILIZADOR**

Para segurança e utilização correctas, leia atentamente o manual de operação antes de pôr a funcionar a unidade de ar condicionado.

### ΕΓΧΕΙΡΙΔΙΟ ΟΔΗΓΙΩΝ ΧΡΗΣΕΩΣ

**ΓΙΑ ΤΟΝ ΧΡΗΣΤΗ**

Για ασφάλεια και σωστή χρήση, παρακαλείστε διαβάσετε προσεκτικά αυτό το εγχειρίδιο χρήσεως πριν θέσετε σε λειτουργία τη μονάδα κλιματισμού.

### РУКОВОДСТВО ПО ЭКСПЛУАТАЦИИ

**ДЛЯ ПОЛЬЗОВАТЕЛЯ**

Для обеспечения правильного и безопасного использования следует ознакомиться с инструкциями, указанными в данном руководстве по эксплуатации, тщательным образом до того, как приступить к использованию кондиционера.

### İŞLETME ELKİTABI

**KULLANICI İÇİN**

Emniyetli ve doğru biçimde nasıl kullanılacağını öğrenmek için lütfen klima cihazını işletmeden önce bu elkitabını dikkatle okuyunuz.

**English****Deutsch****Français****Español****Italiano****Nederlands****Svenska****Dansk****Português****Ελληνικά****Русский****Türkçe**

# Contents

1. Safety Precautions .....	2	7. Other Functions .....	9
2. Parts Names .....	2	8. Function Selection .....	10
3. Screen Configuration .....	4	9. Care and Cleaning .....	14
4. Setting the Day of the Week and Time .....	4	10. Trouble Shooting .....	15
5. Operation .....	5	11. Installation, relocation and inspection .....	16
6. Timer .....	6	12. Specifications .....	17

Note (Marking for WEEE)



**This symbol mark is for EU countries only.**

**This symbol mark is according to the directive 2002/96/EC Article 10 Information for users and Annex IV.**

Your MITSUBISHI ELECTRIC product is designed and manufactured with high quality materials and components which can be recycled and reused.

This symbol means that electrical and electronic equipment, at their end-of-life, should be disposed of separately from your household waste.

Please, dispose of this equipment at your local community waste collection/recycling centre.

In the European Union there are separate collection systems for used electrical and electronic product.

Please, help us to conserve the environment we live in!

**Note:** The phrase "Wired remote controller" in this operation manual refers only to the PAR-21MAA. If you need any information for the PAR-30MAA, please refer to the instruction book included in PAR-30MAA box.

## 1. Safety Precautions

- ▶ Before installing the unit, make sure you read all the "Safety Precautions".
- ▶ The "Safety Precautions" provide very important points regarding safety. Make sure you follow them.
- ▶ Please report to or take consent by the supply authority before connection to the system.

### Symbols used in the text

**⚠ Warning:**

Describes precautions that should be observed to prevent danger of injury or death to the user.

**⚠ Caution:**

Describes precautions that should be observed to prevent damage to the unit.

### Symbols used in the illustrations

**⊥** : Indicates a part which must be grounded.

**⚠ Warning:**

- The unit must not be installed by the user. Ask the dealer or an authorized company to install the unit. If the unit is installed improperly, water leakage, electric shock or fire may result.
- Do not stand on, or place any items on the unit.
- Do not splash water over the unit and do not touch the unit with wet hands. An electric shock may result.
- Do not spray combustible gas close to the unit. Fire may result.
- Do not place a gas heater or any other open-flame appliance where it will be exposed to the air discharged from the unit. Incomplete combustion may result.
- Do not remove the front panel or the fan guard from the outdoor unit when it is running.

- When you notice exceptionally abnormal noise or vibration, stop operation, turn off the power switch, and contact your dealer.
- Never insert fingers, sticks etc. into the intakes or outlets.
- If you detect odd smells, stop using the unit, turn off the power switch and consult your dealer. Otherwise, a breakdown, electric shock or fire may result.
- This air conditioner is NOT intended for use by children or infirm persons without supervision.
- Young children must be supervised to ensure that they do not play with the air conditioner.
- If the refrigeration gas blows out or leaks, stop the operation of the air conditioner, thoroughly ventilate the room, and contact your dealer.

**⚠ Caution:**

- Do not use any sharp object to push the buttons, as this may damage the remote controller.
- Never block or cover the indoor or outdoor unit's intakes or outlets.

### Disposing of the unit

When you need to dispose of the unit, consult your dealer.

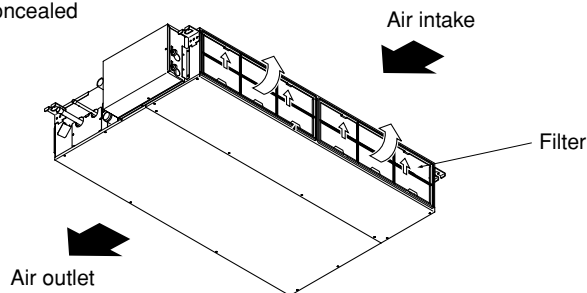
## 2. Parts Names

### ■ Indoor Unit

	SEZ-KD-VAQ
Fan steps	3 steps
Vane	—
Louver	—
Filter	Normal
Filter cleaning indication	—

### ■ SEZ-KD-VAQ

Ceiling Concealed



## 2. Parts Names

### ■ Wired Remote-Controller (option)

#### Display Section

For purposes of this explanation, all parts of the display are shown as lit. During actual operation, only the relevant items will be lit.

#### Identifies the current operation

Shows the operating mode, etc.  
\* Multilanguage display is supported.

#### “Centrally Controlled” indicator

Indicates that operation of the remote controller has been prohibited by a master controller.

#### “Timer is Off” indicator

Indicates that the timer is off.

#### Temperature Setting

Shows the target temperature.

#### Day-of-Week

Shows the current day of the week.

#### Time/Timer Display

Shows the current time, unless the simple or Auto Off timer is set.  
If the simple or Auto Off timer is set, shows the time remaining.

#### “Sensor” indication

Displayed when the remote controller sensor is used.

#### “Locked” indicator

Indicates that remote controller buttons have been locked.

#### “Clean The Filter” indicator

Comes on when it is time to clean the filter.

#### Timer indicators

The indicator comes on if the corresponding timer is set.

#### Fan Speed indicator

Shows the selected fan speed.

#### Ventilation indicator

Appears when the unit is running in Ventilation mode.

#### Up/Down Air Direction indicator

The indicator shows the direction of the outgoing airflow.

#### Room Temperature display

Shows the room temperature. The room temperature display range is 8–39°C. The display flashes if the temperature is less than 8°C or 39°C or more.

#### “One Hour Only” indicator

Displayed if the airflow is set to weak and downward during COOL or DRY mode. (Operation varies according to model.) The indicator goes off after one hour, at which time the airflow direction also changes.

#### Louver display

Indicates the action of the swing louver. Does not appear if the louver is stationary.

#### ● (Power On indicator)

Indicates that the power is on.

#### Operation Section

##### Set Temperature buttons

- ▽ Down
- △ Up

##### Timer Menu button (Monitor/Set button)

##### Mode button (Return button)

##### Set Time buttons

- ▽ Back
- △ Ahead

##### Timer On/Off button (Set Day button)

##### ON/OFF button

##### Fan Speed button

##### Filter button (<Enter> button)

##### Test Run button

##### Check button (Clear button)

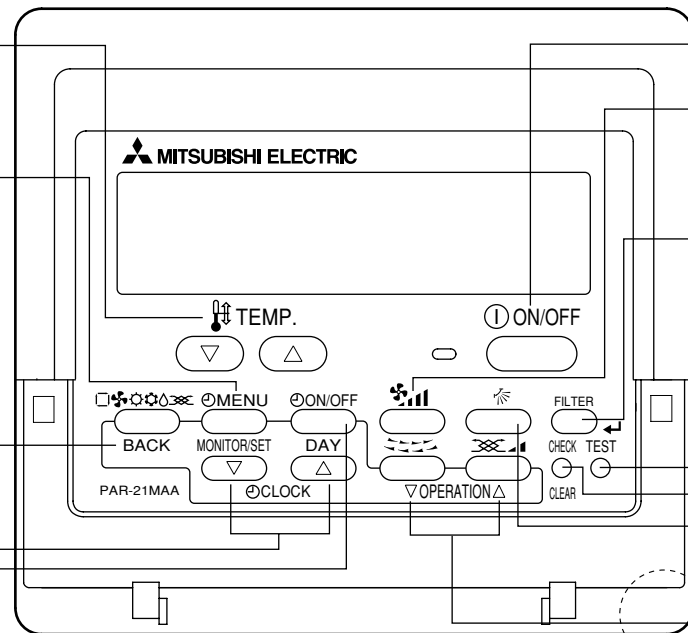
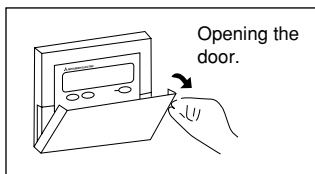
##### Airflow Up/Down button

##### Louver button (▽ Operation button)

▽ To preceding operation number.

##### Ventilation button (△ Operation button)

△ To next operation number.



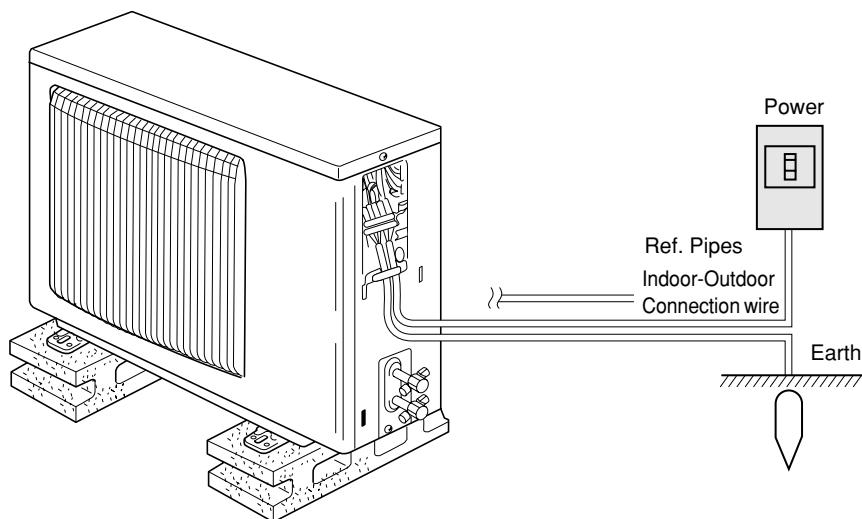
Built-in temperature sensor

#### Note:

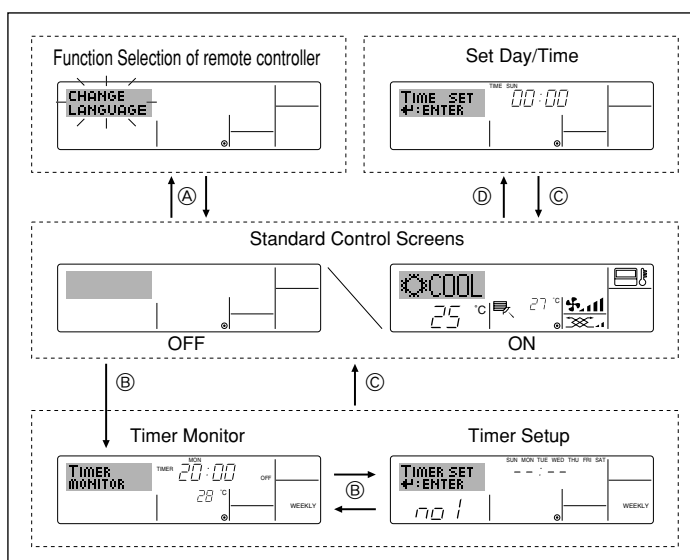
- “PLEASE WAIT” message  
This message is displayed for approximately 3 minutes when power is supplied to the indoor unit or when the unit is recovering from a power failure.
- “NOT AVAILABLE” message  
This message is displayed if a button is pressed to operate a function that the indoor unit does not have.  
If a single remote controller is used to simultaneously operate multiple indoor units that are different models, this message will not be displayed if any of the indoor units is equipped with the function.

## 2. Parts Names

### Outdoor unit



## 3. Screen Configuration



### <Screen Types>

For details on setting the language for the remote controller display, refer to section 8. Function Selection.

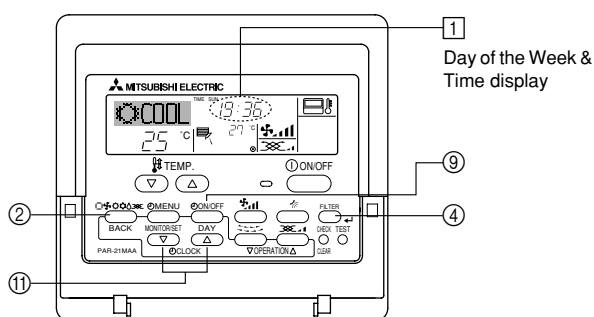
The initial language setting is English.

- **Function Selection of remote controller:** Set the functions and ranges available to the remote controller (timer functions, operating restrictions, etc.)
- **Set Day/Time:** Set the current day of the week or time.
- **Standard Control Screens:** View and set the air conditioning system's operating status
- **Timer Monitor:** View the currently set timer (weekly timer, simple timer, or Auto Off timer)
- **Timer Setup:** Set the operation of any of the timers (weekly timer, simple timer, or Auto Off timer).

### <How to change the screen>

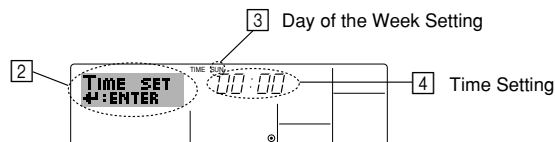
- Ⓐ: Hold down both the Mode button and the Timer On/Off button for 2 seconds.
- Ⓑ: Press the Timer Menu button.
- Ⓒ: Press the Mode (Return) button.
- Ⓓ: Press either of the Set Time buttons (▽ or △).

## 4. Setting the Day of the Week and Time



### Note:

- The day and time will not appear if clock use has been disabled at Function Selection of remote controller.
- After the power supply returns, the indoor unit does not operate for three minutes. Above operation is normal.



1. Press the ▽ or △ Set Time button ① to show display ②.
2. Press the Timer On/Off (Set Day) button ⑨ to set the day.  
\* Each press advances the day shown at ③: Sun → Mon → ... → Fri → Sat.
3. Press the appropriate Set Time button ⑩ as necessary to set the time.  
\* As you hold the button down, the time (at ④) will increment first in minute intervals, then in ten-minute intervals, and then in one-hour intervals.
4. After making the appropriate settings at Steps 2 and 3, press the Filter button ② to lock in the values.

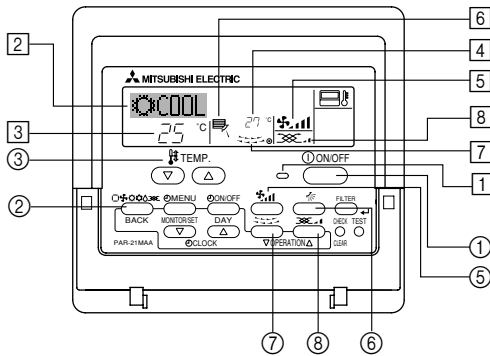
### Note:

- Your new entries at Steps 2 and 3 will be cancelled if you press the Mode (Return) button ② before pressing the Filter button ②.
5. Press the Mode (Return) button ② to complete the setting procedure. This will return the display to the standard control screen, where ① will now show the newly set day and time.

## 5. Operation

### 5.1. Description of "AUTO RESTART FUNCTION"

- This unit is equipped with the auto restart function. When the main power is turned on, the air conditioner will start operation automatically in the same mode as set with the remote controller before the shutoff of main power.
- If the unit was set to off with the remote controller before the shutoff of main power, it will remain stopped even after the main power is turned on.
- If the unit was in the TEST RUN before the shutoff of main power, it will start operation, at main power on, in the same mode as set with the remote controller before the TEST RUN.



### 5.2. Turning ON/OFF

#### <To Start Operation>

- Press the ON/OFF button ①.
  - The ON lamp ① and the display area come on.

#### Note:

- When the unit is restarted, initial settings are as follows.

		Remote Controller settings	
Mode		Last operation mode	
Temperature setting		Last set temperature	
Fan speed		Last set fan speed	
Airflow up/down	Mode	COOL or DRY	Horiz. outlet
		HEAT	Last setting
		FAN	Horiz. outlet

#### <To Stop Operation>

- Press the ON/OFF button ① again.
  - The ON lamp ① and the display area go dark.

#### Note:

Even if you press the ON/OFF button immediately after shutting down the operation is progress, the air conditioner will not start for about three minutes. This is to prevent the internal components from being damaged.

### 5.3. Mode select

- If the unit is off, press the ON/OFF button to turn it on.
  - The ON indicator should light up.
- Press the operation mode ( ) button ② and select the operation mode ②.

- Cooling mode
- Drying mode
- Fan mode
- Heating mode
- Automatic (cooling/heating) mode
- Ventillation mode

Only indicated on the following condition  
Wired remote controller used  
LOSSNAY connected

### Information for multi system air conditioner (Outdoor unit: MXZ series)

▶ Multi system air conditioner (Outdoor unit: MXZ series) can connect two or more indoor units with one outdoor unit. According to the capacity, two or more units can operate simultaneously.

- When you try to operate two or more indoor units with one outdoor unit simultaneously, one for the cooling and the other for heating, the operation mode of the indoor unit that operates earlier is selected. The other indoor units that will start the operation later cannot operate, indicating

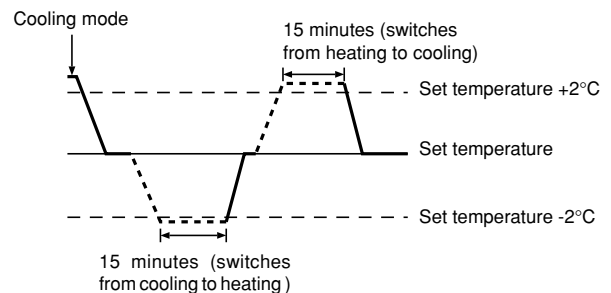
an operation state in flashing.

In this case, please set all the indoor units to the same operation mode.

- There might be a case that the indoor unit, which is operating in (AUTO) mode. Cannot change over to the operating mode (COOL ↔ HEAT) and becomes a state of standby.
- When indoor unit starts the operation while the defrosting of outdoor unit is being done, it takes a few minutes (max. about 15 minutes) to blow out the warm air.
- In the heating operation, though indoor unit that does not operate may get warm or the sound of refrigerant flowing may be heard, they are not malfunction. The reason is that the refrigerant continuously flows into it.

### Automatic operation

- According to a set temperature, cooling operation starts if the room temperature is too hot and heating operation starts if the room temperature is too cold.
- During automatic operation, if the room temperature changes and remains 2 °C or more above the set temperature for 15 minutes, the air conditioner switches to cooling mode. In the same way, if the room temperature remains 2 °C or more below the set temperature for 15 minutes, the air conditioner switches to heating mode.



- Because the room temperature is automatically adjusted in order to maintain a fixed effective temperature, cooling operation is performed a few degrees warmer and heating operation is performed a few degrees cooler than the set room temperature once the temperature is reached (automatic energy-saving operation).

### 5.4. Temperature setting

#### ▶ To decrease the room temperature:

- Press button ③ to set the desired temperature.
  - The selected temperature is displayed ③.

- Each time you press the button, the temperature value decreases by 1 °C.

#### ▶ To increase the room temperature:

- Press button ③ to set the desired temperature.
  - The selected temperature is displayed ③.

- Each time you press the button, the temperature value decreases by 1 °C.

- Available temperature ranges are as follows:

Cooling/Drying:	19 - 30 °C
Heating:	17 - 28 °C
Automatic:	19 - 28 °C

- The display flashes either 8 °C - 39 °C to inform you if the room temperature is lower or higher than the displayed temperature.

### 5.5. Fan speed setting

- Press button ⑤ to select a desired fan speed.

- Each time you press the button, available options change with the display ⑤ on the remote controller, as shown below.

Fan speed	Remote controller display			
	Low	Medium	High	Auto
3-stage	( ) ↓ ↘	( ) →	( ) →	( ) ↘

## 5. Operation

The display and the fan speed of the unit will differ in the following situations:

- When STAND BY and DEFROST are displayed.
- Just after the heating mode (while waiting to change to another mode).
- When the temperature of the room is higher than the temperature setting of the unit operating in the heating mode.
- In the dry operation, the indoor fan automatically turns to low-speed operation. Switching of fan speed is impossible.
- When the temperature of the heat exchanger is low in the heating mode (e.g., immediately after heating operation starts).

**Note:**


● In the following cases, the actual fan speed generated by the unit will differ from the speed shown the remote controller display.

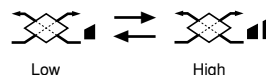
1. While the display is showing "STAND BY" or "DEFROST".
2. When the temperature of the heat exchanger is low in the heating mode. (e.g. immediately after heating operation starts)
3. In HEAT mode, when room temperature is higher than the temperature setting.
4. When the unit is in DRY mode.

## 5.6. Ventillation

### ► For LOSSNAY combination

#### 5.6.1. For Wired Remote-controller

- To run the ventilator together with the indoor unit:
  - Press the ON/OFF button ①.
    - The Vent indication appears on the screen (at ⑧). The ventilator will now automatically operate whenever the indoor unit is running.
- To run the ventilator independently:
  - Press the Mode button ② until  appears on the display. This will cause the ventilator to start.
- To change the ventilator force:
  - Press the Ventilation button ⑧ as necessary.
    - Each press toggles the setting, as shown below.



## 6. Timer

### 6.1. For Wired Remote-controller

This section explains how to set and use the timer. You can use Function Selection of remote controller to select which of three types of timer to use: ① Weekly timer, ② Simple timer, or ③ Auto Off timer.

For information about how to set the Function Selection of remote controller, refer to section 8. [4]-3 (3).

#### 6.1.1. Weekly Timer

■ The weekly timer can be used to set up to eight operations for each day of the week.

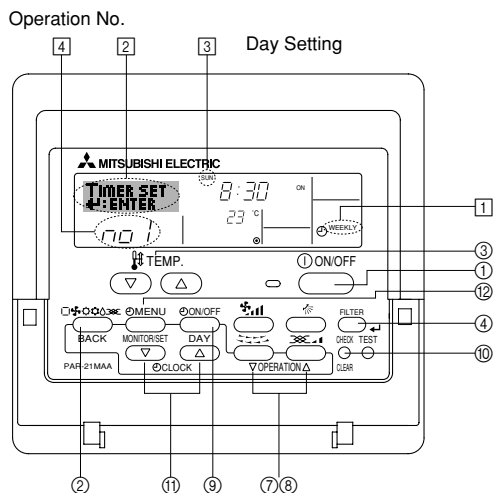
- Each operation may consist of any of the following: ON/OFF time together with a temperature setting, or ON/OFF time only, or temperature setting only.
- When the current time reaches a time set at this timer, the air conditioner carries out the action set by the timer.

■ Time setting resolution for this timer is 1 minute.

**Note:**

- \*1. Weekly Timer/Simple Timer/Auto Off Timer cannot be used at the same time.
- \*2. The weekly timer will not operate when any of the following conditions is in effect.

The timer feature is off; the system is in a malfunction state; a test run is in progress; the remote controller is undergoing self-check or remote controller check; the user is in the process of setting a function; the user is in the process of setting the timer; the user is in the process of setting the current day of the week or time; the system is under central control. (Specifically, the system will not carry out operations (unit on, unit off, or temperature setting) that are prohibited during these conditions.)



### <How to Set the Weekly Timer>

1. Be sure that you are at a standard control screen, and that the weekly timer indicator ① is shown in the display.
  2. Press the Timer Menu button ②, so that the "Set Up" appears on the screen (at ②). (Note that each press of the button toggles the display between "Set Up" and "Monitor".)
  3. Press the Timer On/Off (Set Day) button ③ to set the day. Each press advances the display at ③ to the next setting, in the following sequence: "Sun Mon Tues Wed Thurs Fri Sat" → "Sun" → ... → "Fri" → "Sat" → "Sun Mon Tues Wed Thurs Fri Sat"...
  4. Press the ∇ or ∆ Operation button (⑦ or ⑧) as necessary to select the appropriate operation number (1 to 8) ④.
    - \* Your inputs at Steps 3 and 4 will select one of the cells from the matrix illustrated below.
- (The remote-controller display at left shows how the display would appear when setting Operation 1 for Sunday to the values indicated below.)

### Setup Matrix

Op No.	Sunday	Monday	...	Saturday
No. 1	• 8:30 • ON • 23 °C			
No. 2	• 10:00 • OFF	• 10:00 • OFF	• 10:00 • OFF	• 10:00 • OFF
...				
No. 8				

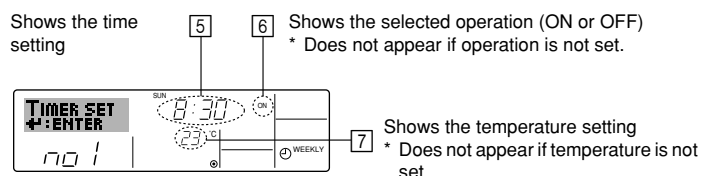
<Operation 1 settings for Sunday>  
Start the air conditioner at 8:30, with the temperature set to 23 °C.

<Operation 2 settings for every day>  
Turn off the air conditioner at 10:00.

**Note:**

By setting the day to "Sun Mon Tues Wed Thurs Fri Sat", you can set the same operation to be carried out at the same time every day. (Example: Operation 2 above, which is the same for all days of the week.)

### <Setting the Weekly Timer>



## 6. Timer

- Press the appropriate Set Time button ⑪ as necessary to set the desired time (at ⑤).
  - \* As you hold the button down, the time first increments in minute intervals, then in ten-minute intervals, and then in one-hour intervals.
- Press the ON/OFF button ① to select the desired operation (ON or OFF), at ⑥.
  - \* Each press changes the next setting, in the following sequence: No display (no setting) → “ON” → “OFF”
- Press the appropriate Set Temperature button ③ to set the desired temperature (at ⑦).
  - \* Each press changes the setting, in the following sequence: No display (no setting) ↔ 24 ↔ 25 ↔ ... ↔ 29 ↔ 30 ↔ 12 ↔ ... ↔ 23 ↔ No display.  
(Available range: The range for the setting is 12 °C to 30 °C. The actual range over which the temperature can be controlled, however, will vary according to the type of the connected unit.)
- After making the appropriate settings at Steps 5, 6 and 7, press the Filter ↵ button ④ to lock in the values.
 

To clear the currently set values for the selected operation, press and quickly release the Check (Clear) button ⑩ once.

  - \* The displayed time setting will change to “—:—”, and the On/Off and temperature settings will all disappear.
  - (To clear all weekly timer settings at once, hold down the Check (Clear) button ⑩ for two seconds or more. The display will begin flashing, indicating that all settings have been cleared.)

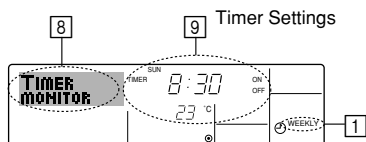
### Note:

Your new entries will be cancelled if you press the Mode (Return) button ② before pressing the Filter ↵ button ④.

If you have set two or more different operations for exactly the same time, only the operation with the highest Operation No. will be carried out.

- Repeat Steps 3 to 8 as necessary to fill as many of the available cells as you wish.
- Press the mode (Return) button ② to return to the standard control screen and complete the setting procedure.
- To activate the timer, press the Timer On/Off button ⑨, so that the “Timer Off” indication disappears from the screen. **Be sure that the “Timer Off” indication is no longer displayed.**
  - \* If there are no timer settings, the “Timer Off” indication will flash on the screen.

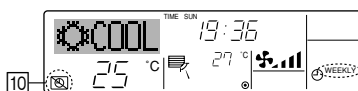
### <How to View the Weekly Timer Settings>



- Be sure that the weekly timer indicator is visible on the screen (at ①).
- Press the Timer Menu button ② so that “Monitor” is indicated on the screen (at ③).
- Press the Timer On/Off (Set Day) button ④ as necessary to select the day you wish to view.
- Press the ∇ or ∆ Operation button (⑦ or ⑧) as necessary to change the timer operation shown on the display (at ⑨).
  - \* Each press will advance to the next timer operation, in order of time setting.
- To close the monitor and return to the standard control screen, press the Mode (Return) button ②.

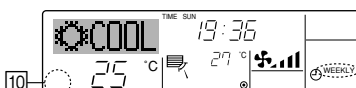
### <To Turn Off the Weekly Timer>

Press the Timer On/Off button ⑨ so that “Timer Off” appears at ⑩.



### <To Turn On the Weekly Timer>

Press the Timer On/Off button ⑨ so that the “Timer Off” indication (at ⑩) goes dark.



### 6.1.2. Simple Timer

■ You can set the simple timer in any of three ways.

- Start time only:  
The air conditioner starts when the set time has elapsed.
- Stop time only:  
The air conditioner stops when the set time has elapsed.
- Start & stop times:  
The air conditioner starts and stops at the respective elapsed times.

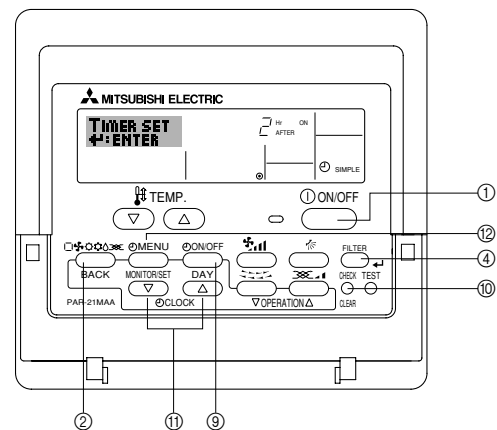
■ The simple timer (start and stop) can be set only once within a 72-hour period.

The time setting is made in hour increments.

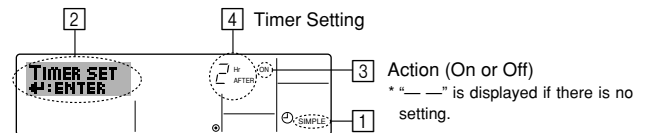
### Note:

- \*1. Weekly Timer/Simple Timer/Auto Off Timer cannot be used at the same time.
- \*2. The simple timer will not operate when any of the following conditions is in effect.

The timer is off; the system is in malfunction state; a test run is in progress; the remote controller is undergoing self-check or remote controller check; the user is in the process of selecting a function; the user is in the process of setting the timer; the system is under central control. (Under these conditions, On/Off operation is prohibited.)



### <How to Set the Simple Timer>



- Be sure that you are at a standard control screen, and that the simple timer indicator is visible in the display (at ①).  
When something other than the Simple Timer is displayed, set it to SIMPLE TIMER using the function selection of remote controller (see 8.[4]-3 (3)) timer function setting.
- Press the Timer Menu button ②, so that the “Set Up” appears on the screen (at ②). (Note that each press of the button toggles the display between “Set Up” and “Monitor”.)
- Press the ON/OFF button ① to display the current ON or OFF simple timer setting. Press the button once to display the time remaining to ON, and then again to display the time remaining to OFF. (The ON/OFF indication appears at ③).
  - “ON” timer:  
The air conditioner will start operation when the specified number of hours has elapsed.
  - “OFF” timer:  
The air conditioner will stop operation when the specified number of hours has elapsed.
- With “ON” or “OFF” showing at ③: Press the appropriate Set Time button ⑪ as necessary to set the hours to ON (if “ON” is displayed) or the hours to OFF (if “OFF” is displayed) at ④.
  - Available Range: 1 to 72 hours
- To set both the ON and OFF times, repeat Steps 3 and 4.
  - \* Note that ON and OFF times cannot be set to the same value.
- To clear the current ON or OFF setting: Display the ON or OFF setting (see step 3) and then press the Check (Clear) button ⑩ so that the time setting clears to “—” at ④. (If you want to use only an ON setting or only an OFF setting, be sure that the setting you do not wish to use is shown as “—”.)

## 6. Timer

7. After completing steps 3 to 6 above, press the Filter  $\leftarrow$  button ④ to lock in the value.

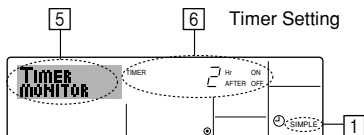
### Note:

Your new settings will be cancelled if you press the Mode (Return) button ② before pressing the Filter  $\leftarrow$  button ④.

8. Press the Mode (Return) button ② to return to the standard control screen.

9. Press the Timer On/Off button ⑨ to start the timer countdown. When the timer is running, the timer value is visible on the display. **Be sure that the timer value is visible and appropriate.**

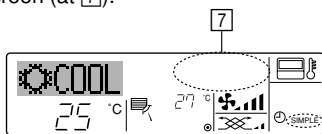
### <Viewing the Current Simple Timer Settings>



1. Be sure that the simple timer indicator is visible on the screen (at ①).
2. Press the Timer Menu button ⑫, so that the "Monitor" appears on the screen (at ⑤).
  - If the ON or OFF simple timer is running, the current timer value will appear at ⑥.
  - If ON and OFF values have both been set, the two values appear alternately.
3. Press the Mode (Return) button ② to close the monitor display and return to the standard control screen.

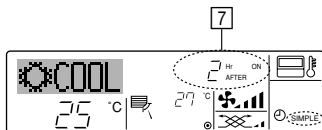
### <To Turn Off the Simple Timer...>

Press the Timer On/Off button ⑨ so that the timer setting no longer appears on the screen (at ⑦).



### <To Turn On the Simple Timer...>

Press the Timer On/Off button ⑨ so that the timer setting becomes visible at ⑦.



### Examples

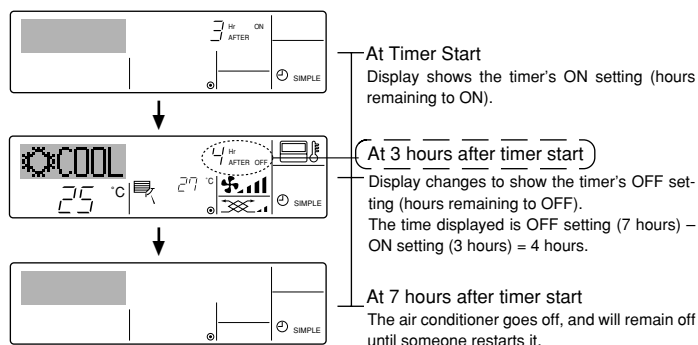
If ON and OFF times have both been set at the simple timer, operation and display are as indicated below.

#### Example 1:

Start the timer, with ON time set sooner than OFF time

ON Setting: 3 hours

OFF Setting: 7 hours

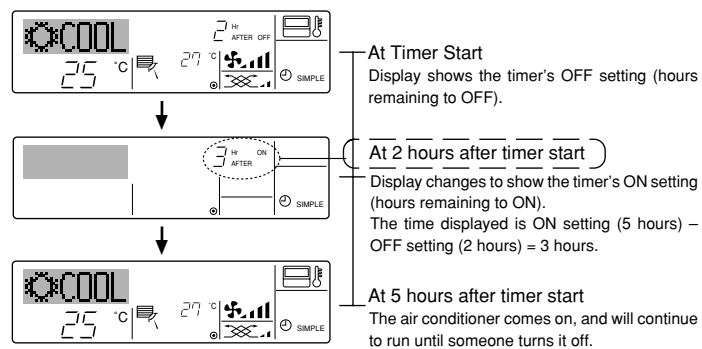


#### Example 2:

Start the timer, with OFF time is sooner than ON time

ON Setting: 5 hours

OFF Setting: 2 hours



### 6.1.3. Auto Off Timer

■ This timer begins countdown when the air conditioner starts, and shuts the air conditioner off when the set time has elapsed.

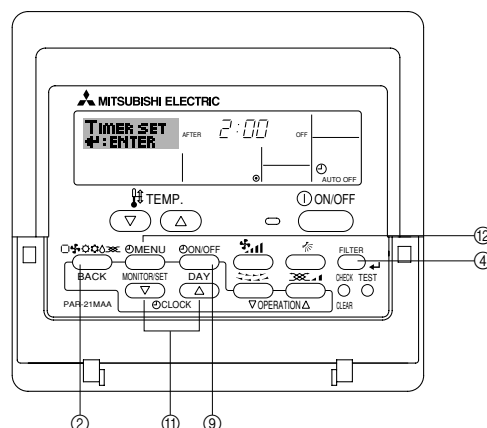
■ Available settings run from 30 minutes to 4 hours, in 30-minute intervals.

#### Note:

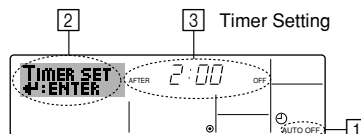
\*1. Weekly Timer/Simple Timer/Auto Off Timer cannot be used at the same time.

\*2. The Auto Off timer will not operate when any of the following conditions is in effect.

The timer is off; the system is in malfunction state; a test run is in progress; the remote controller is undergoing self-check or remote controller check; the user is in the process of selecting a function; the user is in the process of setting the timer; the system is under central control. (Under these conditions, On/Off operation is prohibited.)



### <How to Set the Auto Off Timer>



1. Be sure that you are at a standard control screen, and that the Auto Off timer indicator is visible in the display (at ①). When something other than the Auto Off Timer is displayed, set it to AUTO OFF TIMER using the function selection of remote controller (see 8.[4]-3 (3)) timer function setting.
2. Hold down the Timer Menu button ⑫ for **3 seconds**, so that the "Set Up" appears on the screen (at ②). (Note that each press of the button toggles the display between "Set Up" and "Monitor".)
3. Press the appropriate Set Time button ⑪ as necessary to set the OFF time (at ③).
4. Press the Filter  $\leftarrow$  button ④ to lock in the setting.

#### Note:

Your entry will be cancelled if you press the Mode (Return) button ② before pressing the Filter  $\leftarrow$  button ④.

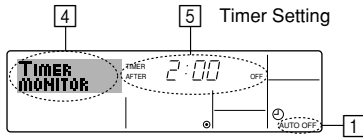
5. Press the Mode (Return) button ② to complete the setting procedure and return to the standard control screen.

6. If the air conditioner is already running, the timer starts countdown immediately. **Be sure to check that the timer setting appears correctly on the display.**



## 6. Timer

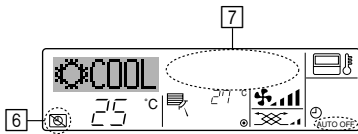
### <Checking the Current Auto Off Timer Setting>



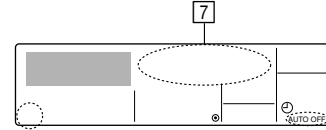
1. Be sure that the "Auto Off" is visible on the screen (at ①).
2. Hold down the Timer Menu button ⑫ for **3 seconds**, so that "Monitor" is indicated on the screen (at ④).
  - The timer remaining to shutdown appears at ⑤.
3. To close the monitor and return to the standard control screen, press the Mode (Return) button ②.

### <To Turn Off the Auto Off Timer...>

- Hold down the Timer On/Off button ⑨ for **3 seconds**, so that "Timer Off" appears (at ⑥) and the timer value (at ⑦) disappears.

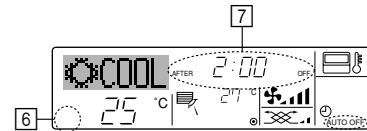


- Alternatively, turn off the air conditioner itself. The timer value (at ⑦) will disappear from the screen.



### <To Turn On the Auto Off Timer...>

- Hold down the Timer On/Off button ⑨ for **3 seconds**. The "Timer Off" indication disappears (at ⑥), and the timer setting comes on the display (at ⑦).
- Alternatively, turn on the air conditioner. The timer value will appear at ⑦.



## 7. Other Functions

### 7.1. Locking the Remote Controller Buttons (Operation function limit controller)

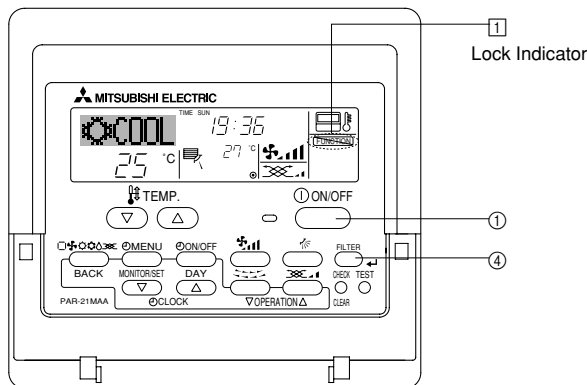
- If you wish, you can lock the remote controller buttons. You can use the Function Selection of remote controller to select which type of lock to use. (For information about selecting the lock type, see section 8, item [4]-2 (1)).

Specifically, you can use either of the following two lock types.

- ① Lock All Buttons:  
Locks all of the buttons on the remote controller.
- ② Lock All Except ON/OFF:  
Locks all buttons other than the ON/OFF button.

#### Note:

The "Locked" indicator appears on the screen to indicate that buttons are currently locked.



### <How to Lock the Buttons>

1. While holding down the Filter button ④, press and hold down the ON/OFF button ① for 2 seconds. The "Locked" indication appears on the screen (at ①), indicating that the lock is now engaged.
  - \* If locking has been disabled in Function Selection of remote controller, the screen will display the "Not Available" message when you press the buttons as described above.

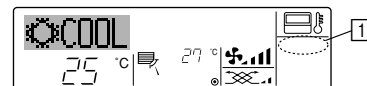


- If you press a locked button, the "Locked" indication (at ①) will blink on the display.



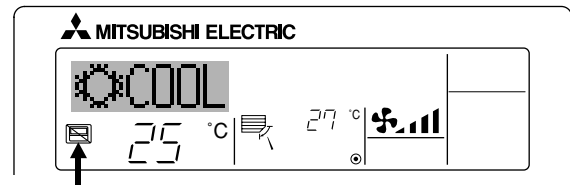
### <How to Unlock the Buttons>

1. While holding down the Filter button ④, press and hold down the ON/OFF button ① for 2 seconds—so that the "Locked" indication disappears from the screen (at ①).



## 7.2. Other indications

### 7.2.1. Centrally Controlled

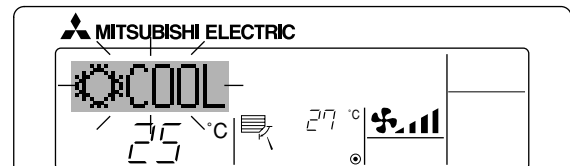


- Displayed when operation is controlled by central controller, etc. Restricted operations are shown below.
  - ON/OFF (including timer operation)
  - Operation mode
  - Set temperature

#### Note:

May also be individually restricted.

### 7.2.2. Flashing Mode Indicator

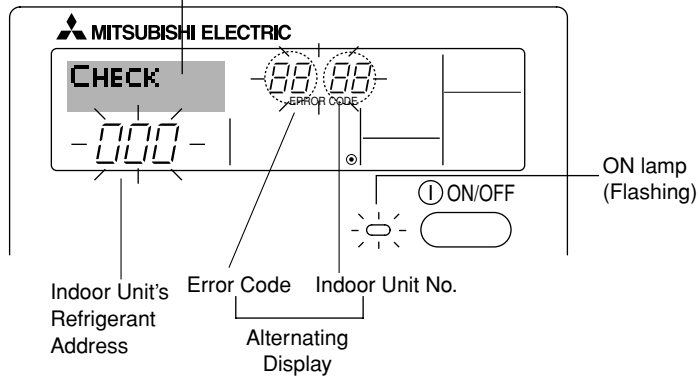


- When flashes continuously  
Displayed when another indoor unit connected to the outdoor unit is already operating in a different operation mode. Match with the operation mode of the other indoor unit.
- When mode switched after display flashes  
Displayed when operation mode is restricted for each season by central controller, etc. Use another operation mode.

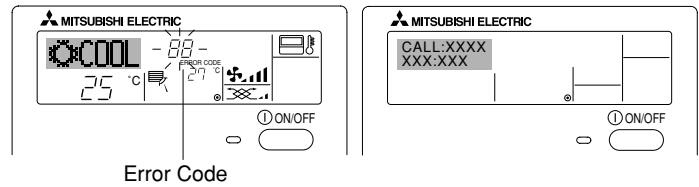
## 7. Other Functions

### 7.2.3. Error Codes indication

If you have entered contact number to be called in the event of a problem, the screen displays this number. (You can set this up under Function Selection of remote controller. For information, refer to section 8.)



When the Check button is pressed:



- If the ON lamp and error code are both flashing: This means that the air conditioner is out of order and operation has been stopped (and cannot resume). Take note of the indicated unit number and error code, then switch off the power to the air conditioner and call your dealer or servicer.
  - If only the error code is flashing (while the ON lamp remains lit): Operation is continuing, but there may be a problem with the system. In this case, you should note down the error code and then call your dealer or servicer for advice.
- \* If you have entered contact number to be called in the event of a problem, push the Check button to display it on the screen. (You can set this up under Function Selection of remote controller. For information, refer to section 8.)

## 8. Function Selection

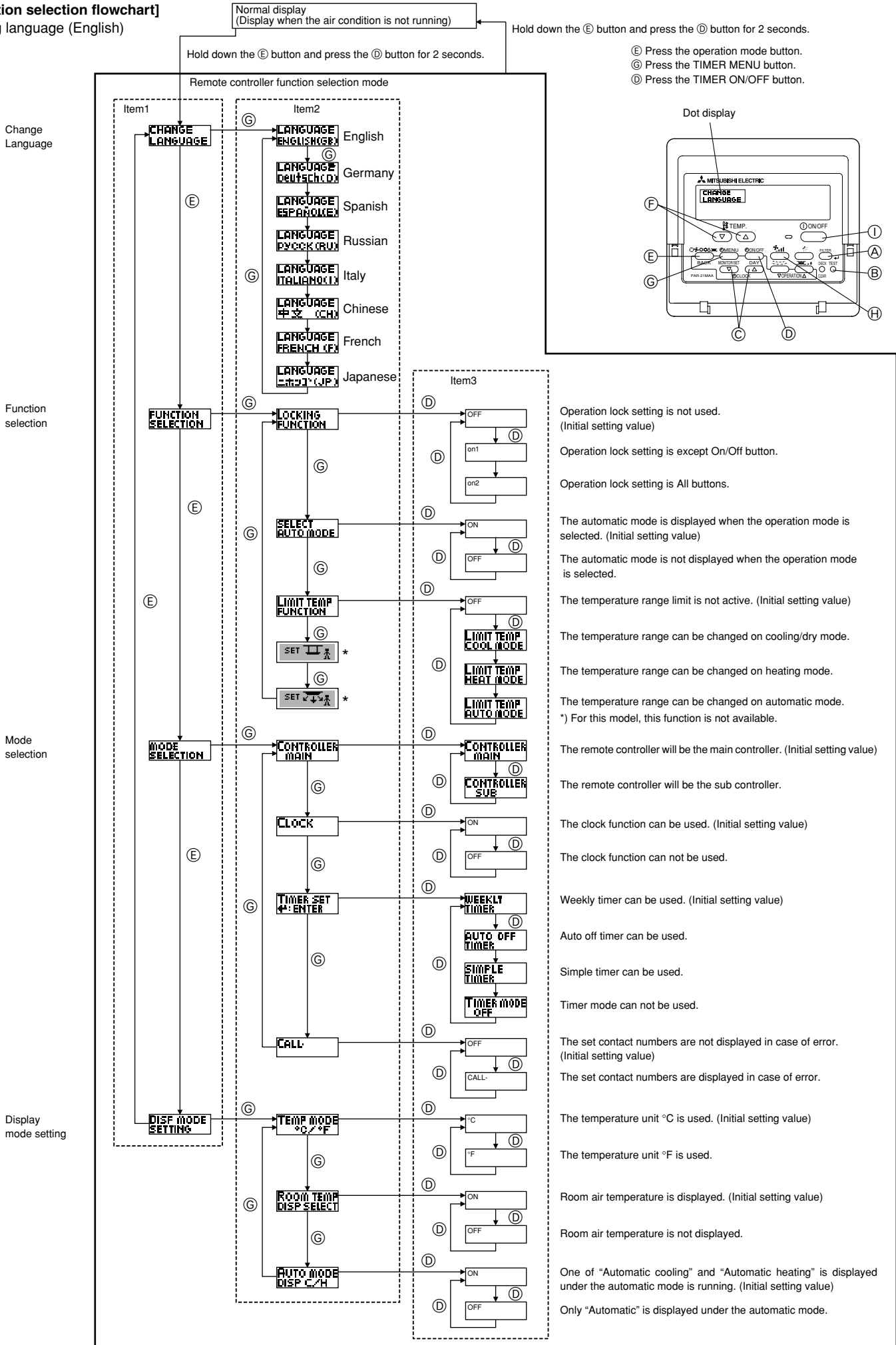
### Function selection of remote controller

The setting of the following remote controller functions can be changed using the remote controller function selection mode. Change the setting when needed.

Item 1	Item 2	Item 3 (Setting content)
1. Change Language ("CHANGE LANGUAGE")	Language setting to display	<ul style="list-style-type: none"> <li>• Display in multiple languages is possible</li> </ul>
2. Function limit ("FUNCTION SELECTION")	(1) Operation function limit setting (operation lock) ("LOCKING FUNCTION")	<ul style="list-style-type: none"> <li>• Setting the range of operation limit (operation lock)</li> </ul>
	(2) Use of automatic mode setting ("SELECT AUTO MODE")	<ul style="list-style-type: none"> <li>• Setting the use or non-use of "automatic" operation mode</li> </ul>
	(3) Temperature range limit setting ("LIMIT TEMP FUNCTION")	<ul style="list-style-type: none"> <li>• Setting the temperature adjustable range (maximum, minimum)</li> </ul>
	(4) Use of automatic filter elevation panel up/down operation mode setting	(For this model, this function is not available.)
	(5) Use of fixed airflow direction mode setting	(For this model, this function is not available.)
3. Mode selection ("MODE SELECTION")	(1) Remote controller main/sub setting ("CONTROLLER MAIN/SUB")	<ul style="list-style-type: none"> <li>• Selecting main or sub remote controller</li> <li>* When two remote controllers are connected to one group, one controller must be set to sub.</li> </ul>
	(2) Use of clock setting ("CLOCK")	<ul style="list-style-type: none"> <li>• Setting the use or non-use of clock function</li> </ul>
	(3) Timer function setting ("WEEKLY TIMER")	<ul style="list-style-type: none"> <li>• Setting the timer type</li> </ul>
	(4) Contact number setting for error situation ("CALL.")	<ul style="list-style-type: none"> <li>• Contact number display in case of error</li> <li>• Setting the telephone number</li> </ul>
4. Display change ("DISP MODE SETTING")	(1) Temperature display °C/°F setting ("TEMP MODE °C/°F")	<ul style="list-style-type: none"> <li>• Setting the temperature unit (°C or °F) to display</li> </ul>
	(2) Suction air temperature display setting ("ROOM TEMP DISP SELECT")	<ul style="list-style-type: none"> <li>• Setting the use or non-use of the display of indoor (suction) air temperature</li> </ul>
	(3) Automatic cooling/heating display setting ("AUTO MODE DISP C/H")	<ul style="list-style-type: none"> <li>• Setting the use or non-use of the display of "Cooling" or "Heating" display during operation with automatic mode</li> </ul>

# 8. Function Selection

**[Function selection flowchart]**  
Setting language (English)



## 8. Function Selection

### [Detailed setting]

#### [4]-1. CHANGE LANGUAGE setting

The language that appears on the dot display can be selected.

- Press the [⊖MENU] button ⑥ to change the language.
  - ① English (GB), ② German (D), ③ Spanish (E), ④ Russian (RU),
  - ⑤ Italian (I), ⑥ Chinese (CH), ⑦ French (F), ⑧ Japanese (JP)

Refer to the dot display table.

#### [4]-2. Function limit

##### (1) Operation function limit setting (operation lock)

- To switch the setting, press the [⊖ON/OFF] button ⑩.
  - ① no1 : Operation lock setting is made on all buttons other than the [⊖ON/OFF] button.
  - ② no2: Operation lock setting is made on all buttons.
  - ③ OFF (Initial setting value): Operation lock setting is not made.- \* To make the operation lock setting valid on the normal screen, it is necessary to press buttons (Press and hold down the [FILTER] and [⊖ON/OFF] buttons at the same time for two seconds.) on the normal screen after the above setting is made.

##### (2) Use of automatic mode setting

When the remote controller is connected to the unit that has automatic operation mode, the following settings can be made.

- To switch the setting, press the [⊖ON/OFF] button ⑩.
  - ① ON (Initial setting value):  
The automatic mode is displayed when the operation mode is selected.
  - ② OFF:  
The automatic mode is not displayed when the operation mode is selected.

##### (3) Temperature range limit setting

After this setting is made, the temperature can be changed within the set range.

- To switch the setting, press the [⊖ON/OFF] button ⑩.
  - ① LIMIT TEMP COOL MODE:  
The temperature range can be changed on cooling/dry mode.
  - ② LIMIT TEMP HEAT MODE:  
The temperature range can be changed on heating mode.
  - ③ LIMIT TEMP AUTO MODE:  
The temperature range can be changed on automatic mode.
  - ④ OFF (initial setting): The temperature range limit is not active.- \* When the setting, other than OFF, is made, the temperature range limit setting on cooling, heating and automatic mode is made at the same time. However, the range cannot be limited when the set temperature range has not changed.
- To increase or decrease the temperature, press the [TEMP. (▽) or (△)] button ⑨.
- To switch the upper limit setting and the lower limit setting, press the [TEMP. (▽) or (△)] button ⑨. The selected setting will flash and the temperature can be set.
- Settable range

Cooling/Dry mode:	Lower limit:19°C ~ 30°C	Upper limit:30°C ~ 19°C
Heating mode:	Lower limit:17°C ~ 28°C	Upper limit:28°C ~ 17°C
Automatic mode:	Lower limit:19°C ~ 28°C	Upper limit:28°C ~ 19°C
- \* The settable range varies depending on the unit to connect (Mr. Slim units, CITY MULTI units, and intermediate temperature units)

##### (4) Use of automatic filter elevation panel up/down operation mode setting

For this model, this function is not available.

##### (5) Use of fixed airflow direction mode setting

For this model, this function is not available.

#### [4]-3. Mode selection setting

##### (1) Remote controller main/sub setting

- To switch the setting, press the [⊖ON/OFF] button ⑩.
  - ① Main: The controller will be the main controller.
  - ② Sub: The controller will be the sub controller.

##### (2) Use of clock setting

- To switch the setting, press the [⊖ON/OFF] button ⑩.
  - ① ON: The clock function can be used.
  - ② OFF: The clock function cannot be used.

##### (3) Timer function setting

- To switch the setting, press the [⊖ON/OFF] button ⑩ (Choose one of the followings.).
  - ① WEEKLY TIMER (initial setting value):  
The weekly timer can be used.
  - ② AUTO OFF TIMER:  
The auto off timer can be used.
  - ③ SIMPLE TIMER:  
The simple timer can be used.
  - ④ TIMER MODE OFF:  
The timer mode cannot be used.- \* When the use of clock setting is OFF, the "WEEKLY TIMER" cannot be used.

##### (4) Contact number setting for error situation

- To switch the setting, press the [⊖ON/OFF] button ⑩.
  - ① CALL OFF:  
The set contact numbers are not displayed in case of error.
  - ② CALL \*\*\*\* \* \* \* \* \*:  
The set contact numbers are displayed in case of error.  
CALL\_ :  
The contact number can be set when the display is as shown on the left.- Setting the contact numbers  
To set the contact numbers, follow the following procedures.  
Move the flashing cursor to set numbers. Press the [TEMP. (▽) and (△)] button ⑨ to move the cursor to the right (left). Press the [⊖CLOCK (▽) and (△)] button ⑩ to set the numbers.

#### [4]-4. Display change setting

##### (1) Temperature display °C/°F setting

- To switch the setting, press the [⊖ON/OFF] button ⑩.
  - ① °C: The temperature unit °C is used.
  - ② °F: The temperature unit °F is used.

##### (2) Suction air temperature display setting

- To switch the setting, press the [⊖ON/OFF] button ⑩.
  - ① ON: The suction air temperature is displayed.
  - ② OFF: The suction air temperature is not displayed.

##### (3) Automatic cooling/heating display setting

- To switch the setting, press the [⊖ON/OFF] button ⑩.
  - ① ON:  
One of "Automatic cooling" and "Automatic heating" is displayed under the automatic mode is running.
  - ② OFF:  
Only "Automatic" is displayed under the automatic mode.

## 8. Function Selection

[Dot display table]

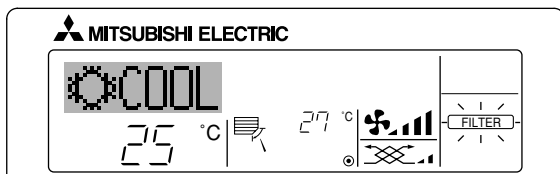
Selecting language	English	Germany	Spanish	Russian	Italy	Chinese	French	Japanese	
Waiting for start-up	PLEASE WAIT	←	←	←	←	←	←	←	
Operation mode	Cool	COOL	Kühlen	FRÍO	Холод	COOL	制冷	FROID	冷房
	Dry	DRY	Trocknen	DESHUMIDIFICACION	Сушка	DRY	除湿	DESHU	ドライ
	Heat	HEAT	Heizen	CALOR	Тепло	HEAT	制热	CHAUD	暖房
	Auto	AUTO	AUTO	AUTOMÁTICO	Авто	AUTO	自动	AUTO	自動
	Auto(Cool)	COOL	Kühlen	FRÍO	Холод	COOL	制冷	FROID	冷房
	Auto(Heat)	HEAT	Heizen	CALOR	Тепло	HEAT	制热	CHAUD	暖房
	Fan	FAN	Lüfter	VENTILACION	Вент	VENTILAZIONE	送风	VENTILATION	送風
	Ventilation	VENTILATION	Gebläse Betrieb	VENTILACION	Вентиляция	ARIA ESTERNA	换气	VENTILATION	換気
	Stand by (Hot adjust)	STAND BY	STAND BY	CALENTANDO	ОБОГРЕВ: ПУЗРА	STAND BY	准备中	PRE CHAUFFAGE	準備中
Defrost	DEFROST	Alttauen	DESCONGELACION	ОТТАВЛИВАНИЕ	SPRINAMENTO	除霜中	DEGIVRAGE	霜取中	
Set temperature	SET TEMP	TEMP Einstellen	TEMP. CONSIGNA	ЦЕЛЕВАЯ ТЕМПЕРАТУРА	IMPOSTAZIONE TEMPERATURA	设定温度	REGLAGE TEMPERATURE	設定温度	
Fan speed	FAN SPEED	Lüftersgeschwindigkeit	VELOCIDAD VENTILADOR	СКОРОСТЬ ВЕНТИЛЯТОРА	VELOCITA' VENTILATORE	风速	VITESSE DE VENTILATION	風速	
Not use button	NOT AVAILABLE	nicht verfügbar	NO DISPONIBLE	НЕ ДОСТУПНО	NON DISPONIBILE	无效按钮	NON DISPONIBLE	無効ボタン	
Check (Error)	CHECK	Prüfen	COMPROBAR	ПРОВЕРКА	CHECK	检查	CONTROLE	点検	
Test run	TEST RUN	Testbetrieb	TEST FUNCIONAMIENTO	ТЕСТОВЫЙ ЗАПУСК	TEST RUN	试运行	TEST	試運転	
Self check	SELF CHECK	Selbst-diagnose	AUTO REVISION	САМОДИАГНОСТИКА	SELF CHECK	自我诊断	AUTO CONTROLE	自己診断	
Unit function selection	FUNCTION SELECTION	Funktion Auswahl	SELECCIÓN DE FUNCION	ВЫБОР ФУНКЦИИ	SELEZIONE FUNZIONI	功能选择	SELECTION FONCTIONS	メニュー選択	
Setting of ventilation	SETTING OF VENTILATION	Lüfterstufen wählen	CONFIG. VENTILACION	НАСТРОЙКА ВЕНТУСТАНА	IMPOSTAZIONE ARIA ESTERNA	换气设定	SELECTION VENTILATION	換気設定	

Selecting language	English	Germany	Spanish	Russian	Italy	Chinese	French	Japanese
CHANGE LANGUAGE	CHANGE LANGUAGE	←	←	←	←	←	←	←
Function selection	FUNCTION SELECTION	Funktion auswählen	SELECCIÓN DE FUNCIONES	ВЫБОР ФУНКЦИИ	SELEZIONE FUNZIONI	功能限制	SELECTION FONCTIONS	メニュー制限
Operation function limit setting	LOCKING FUNCTION	Sperre - Funktion	FUNCION BLOQUEADA	ФУНКЦИЯ БЛОКИРОВКИ	BLOCCO FUNZIONI	操作限制	BLOCAGE FONCTIONS	操作ロック
Use of automatic mode setting	SELECT AUTO MODE	Auswahl auto Betrieb	SELECCIÓN MODO AUTO	ВЫБОР РЕЖИМА АВТО	SELEZIONE MODO AUTO	自动模式	SELECTION DU MODO AUTO	自動モード
Temperature range limit setting	LIMIT TEMP FUNCTION	Limit Temp Funktion	LIMIT TEMP CONSIGNA	ОГРАНИЧЕНИЕ УСТ.ТЕМПЕРАТ	LIMITAZIONE TEMPERATURA	温度限制	LIMITATION TEMPERATURE	温度制限
Use of automatic filter elevation panel up/down operation mode setting	SET	←	←	←	←	←	←	←
Use of fixed airflow direction mode setting	SET	←	←	←	←	←	←	←
Limit temperature cooling/day mode	LIMIT TEMP COOL MODE	Limit Kühl Temp	LIMIT TEMP MODO FRIO	ОГРАНИЧЕНО ОХЛАЖДЕНИЕ	LIMITAZIONE MODO COOL	制冷范围	LIMITE TEMP MODO FROID	制冷范围
Limit temperature heating mode	LIMIT TEMP HEAT MODE	Limit Heiz Temp	LIMIT TEMP MODO CALOR	ОГРАНИЧЕНО ОБОГРЕВ	LIMITAZIONE MODO HEAT	制热范围	LIMITE TEMP MODO CHAUD	制热范围
Limit temperature auto mode	LIMIT TEMP AUTO MODE	Limit Auto Temp	LIMIT TEMP MODO AUTO	ОГРАНИЧЕНО РЕЖИМ АВТО	LIMITAZIONE MODO AUTO	自动范围	LIMITE TEMP MODO AUTO	自动范围
Mode selection	MODE SELECTION	Betriebsart wählen	SELECCIÓN DE MODO	ВЫБОР РЕЖИМА	SELEZIONE MODO	基本模式	SELECTION DU MODO	基本メニュー
Remote controller setting MAIN	CONTROLLER MAIN	Haupt Controller	CONTROL PRINCIPAL	ОСНОВНОЙ ПУЛЬТ	CONTROLLO MAIN	遥控主	TECOMMANDE MÄTRE	リモコン 主機
Remote controller setting SUB	CONTROLLER SUB	Neben Controller	CONTROL SECUNDARIO	ДОПОЛНИТЕЛЬНЫЙ ПУЛЬТ	CONTROLLO SUB	遥控辅	TECOMMANDE ESCLAVE	リモコン 副機
Use of clock setting	CLOCK	Uhr	RELOJ	Часы	OROLOGIO	时钟	AFFICHAGE HORLOGE	時計 3000
Setting the day of the week and time	TIME SET $\leftarrow$ ENTER	Uhr stellen $\leftarrow$ einstellen	CONFIG RELOJ $\leftarrow$ CONFIG	ЧАСЫ: УСТ. $\leftarrow$ ВВОД	OROLOGIO $\leftarrow$ ENTER	时间 $\leftarrow$ ENTER	HORLOGE $\leftarrow$ ENTRER	トケイ セット $\leftarrow$ カクタイ
Timer set	TIMER SET $\leftarrow$ ENTER	Zeitschaltuhr $\leftarrow$ einstellen	TEMPORIZA - DOR $\leftarrow$ CONFIG	ТАЙМЕР: УСТ. $\leftarrow$ ВВОД	TIMER $\leftarrow$ ENTER	定时器 $\leftarrow$ ENTER	PROG HORAIRES $\leftarrow$ ENTRER	タイマー セット $\leftarrow$ カクタイ
Timer monitor	TIMER MONITOR	Uhrzeit Anzeige	VISUALIZAR TEMPORIZAD.	ПРОСМОТР ТАЙМЕРА	VISUALIZ TIMER	定时器状态	AFFICHAGE PROG HORAIRES	タイマーモニター
Weekly timer	WEEKLY TIMER	Wochenzeit Schalt Uhr	TEMPORIZA - DOR SEMANAL	НЕДЕЛЬНЫЙ ТАЙМЕР	TIMER SETTIMANALE	每周定时器	PROG WEEKO MADAIRE	タイマー 週間
Timer mode off	TIMER MODE OFF	Zeitschaltuhr AUS	TEMPORIZA - DOR APAGADO	ТАЙМЕР ВЫКЛ.	TIMER OFF	定时器无效	PROG HORAIRES INACTIF	タイマー 無効
Auto off timer	AUTO OFF TIMER	AUTO Zeit funktion AUS	APAGADO AUTOMÁTICO	АВТОМАТИЧ. ПО ТАЙМЕРУ	AUTO OFF TIMER	解除定时	PROG HORAIRES ARRET AUTO	タイマー-アウソフ ボウシ
Simple timer	SIMPLE TIMER	Einfache Zeitfunktion	TEMPORIZA - DOR SIMPLE	ПРОСТОЙ ТАЙМЕР	TIMER SEMPLIFICATO	简易定时器	PROG HORAIRES SIMPLIFIE	タイマー カナイ
Contact number setting of error situation	CALL	←	←	←	←	←	←	←
Display change	DISP MODE SETTING	Anzeige Betriebsart	MOstrar MODO	НАСТРОЙКА ИНА РЕЖИМА	IMPOSTAZIONE MODO DISPLAY	转换表示	AFFICHAGE SOUS MENU	表示切替
Temperature display °C/°F setting	TEMP MODE °C/°F	Wachsel °C/°F	TEMP GRADOS °C/°F	ЕДИН.ТЕМП. °C/°F	TEMPERATURA °C/°F	温度 °C/°F	TEMPERATURE °C/°F	温度 °C/°F

## 8. Function Selection

Selecting language	English	Germany	Spanish	Russian	Italy	Chinese	French	Japanese
Room air temperature display setting	ROOM TEMP DISP SELECT	ROOM TEMP zeWAHLT	MOSTRAR TEMP.	ПОКАЗЫВАТЬ TEMP. В КОМН.	TEMPERATURA AMBIENTE	吸入温度	TEMPERATURE AMBIANTE	室温表示
Automatic cooling/heating display setting	AUTO MODE DISP C/H	Auto Betrieb C/H	MOSTRAR F/C EN AUTO	МНД. Т/Х В РЕЖИМЕ АВТО	AUTO C/H	自动力表示	AFFICHAGE AUTO F/C	自動力表示

## 9. Care and Cleaning



■ Indicates that the filter needs cleaning. Clean the filter.

■ When resetting "FILTER" display  
When the [FILTER] button is pressed two times successively after cleaning the filter, the display goes off and is reset.

### Note:

- When two or more different types of indoor unit are controlled, the cleaning period differs with the type of filter. When the master unit cleaning period arrives, "FILTER" is displayed. When the filter display goes off, the cumulative time is reset.
- "FILTER" indicates the cleaning period when the air conditioner was used under general indoor air conditions by criteria time. Since the degree of dirtiness depends on the environmental conditions, clean the filter accordingly.
- The filter cleaning period cumulative time differs with the model.
- This indication is not available for wireless remote controller.

### ▶ Cleaning the filters

- Clean the filters using a vacuum cleaner. If you do not have a vacuum cleaner, tap the filters against a solid object to knock off dirt and dust.
- If the filters are especially dirty, wash them in lukewarm water. Take care to rinse off any detergent thoroughly and allow the filters to dry completely before putting them back into the unit.

### ⚠ Caution:

- Do not dry the filters in direct sunlight or by using a heat source, such as an electric heater: this may warp them.
- Do not wash the filters in hot water (above 50°C), as this may warp them.
- Make sure that the air filters are always installed. Operating the unit without air filters can cause malfunction.

### ⚠ Caution:

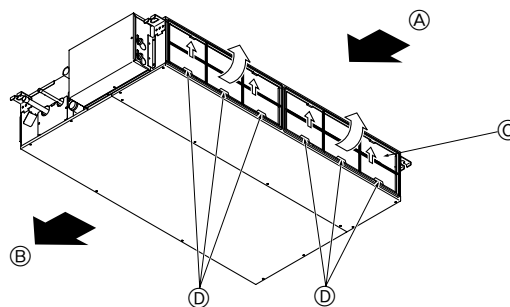
- Before you start cleaning, stop operation and turn OFF the power supply.
- Indoor units are equipped with filters to remove the dust of sucked-in air. Clean the filters using the methods shown in the following sketches.

### ▶ Filter removal

#### ⚠ Caution:

- In removing the filter, precautions must be taken to protect your eyes from dust. Also, if you have to climb up on a stool to do the job, be careful not to fall.
- When the filter is removed, do not touch the metallic parts inside the indoor unit, otherwise injury may result.





### ■ SEZ-KD-VAQ



- While lifting the filter knob, pull it.

Ⓐ Air intake Ⓑ Air outlet Ⓒ Filter Ⓓ Knob

## 10. Trouble Shooting

Having trouble?	Here is the solution. (Unit is operating normally.)
Air conditioner does not heat or cool well.	<ul style="list-style-type: none"> <li>■ Clean the filter. (Airflow is reduced when the filter is dirty or clogged.)</li> <li>■ Check the temperature adjustment and adjust the set temperature.</li> <li>■ Make sure that there is plenty of space around the outdoor unit. Is the indoor unit air intake or outlet blocked?</li> <li>■ Has a door or window been left open?</li> </ul>
When heating operation starts, warm air does not blow from the indoor unit soon.	<ul style="list-style-type: none"> <li>■ Warm air does not blow until the indoor unit has sufficiently warmed up.</li> </ul>
During heating mode, the air conditioner stops before the set room temperature is reached.	<ul style="list-style-type: none"> <li>■ When the outdoor temperature is low and the humidity is high, frost may form on the outdoor unit. If this occurs, the outdoor unit performs a defrosting operation. Normal operation should begin after approximately 10 minutes.</li> </ul>
When the airflow direction is changed, the vanes always move up and down past the set position before finally stopping at the position.	<ul style="list-style-type: none"> <li>■ When the airflow direction is changed, the vanes move to the set position after detecting the base position.</li> </ul>
A flowing water sound or occasional hissing sound is heard.	<ul style="list-style-type: none"> <li>■ These sounds can be heard when refrigerant is flowing in the air conditioner or when the refrigerant flow is changing.</li> </ul>
A cracking or creaking sound is heard.	<ul style="list-style-type: none"> <li>■ These sounds can be heard when parts rub against each due to expansion and contraction from temperature changes.</li> </ul>
The room has an unpleasant odor.	<ul style="list-style-type: none"> <li>■ The indoor unit draws in air that contains gases produced from the walls, carpeting, and furniture as well as odors trapped in clothing, and then blows this air back into the room.</li> </ul>
A white mist or vapor is emitted from the indoor unit.	<ul style="list-style-type: none"> <li>■ If the indoor temperature and the humidity are high, this condition may occur when operation starts.</li> <li>■ During defrosting mode, cool airflow may blow down and appear like a mist.</li> </ul>
Water or vapor is emitted from the outdoor unit.	<ul style="list-style-type: none"> <li>■ During cooling mode, water may form and drip from the cool pipes and joints.</li> <li>■ During heating mode, water may form and drip from the heat exchanger.</li> <li>■ During defrosting mode, water on the heat exchanger evaporates and water vapor may be emitted.</li> </ul>
The operation indicator does not appear in the remote controller display.	<ul style="list-style-type: none"> <li>■ Turn on the power switch. "●" will appear in the remote controller display.</li> </ul>
"  appears in the remote controller display.	<ul style="list-style-type: none"> <li>■ During central control, " appears in the remote controller display and air conditioner operation cannot be started or stopped using the remote controller.</li> </ul>
When restarting the air conditioner soon after stopping it, it does not operate even though the ON/OFF button is pressed.	<ul style="list-style-type: none"> <li>■ Wait approximately three minutes. (Operation has stopped to protect the air conditioner.)</li> </ul>
Air conditioner operates without the ON/OFF button being pressed.	<ul style="list-style-type: none"> <li>■ Is the on timer set? Press the ON/OFF button to stop operation.</li> <li>■ Is the air conditioner connected to a central remote controller? Consult the concerned people who control the air conditioner.</li> <li>■ Does " appear in the remote controller display? Consult the concerned people who control the air conditioner.</li> <li>■ Has the auto recovery feature from power failures been set? Press the ON/OFF button to stop operation.</li> </ul>
Air conditioner stops without the ON/OFF button being pressed.	<ul style="list-style-type: none"> <li>■ Is the off timer set? Press the ON/OFF button to restart operation.</li> <li>■ Is the air conditioner connected to a central remote controller? Consult the concerned people who control the air conditioner.</li> <li>■ Does " appear in the remote controller display? Consult the concerned people who control the air conditioner.</li> </ul>
Remote controller timer operation cannot be set.	<ul style="list-style-type: none"> <li>■ Are timer settings invalid? If the timer can be set, (WEEKLY), (SIMPLE), or (AUTO OFF) appears in the remote controller display.</li> </ul>
"PLEASE WAIT" appears in the remote controller display.	<ul style="list-style-type: none"> <li>■ The initial settings are being performed. Wait approximately 3 minutes.</li> </ul>
An error code appears in the remote controller display.	<ul style="list-style-type: none"> <li>■ The protection devices have operated to protect the air conditioner.</li> <li>■ Do not attempt to repair this equipment by yourself. Turn off the power switch immediately and consult your dealer. Be sure to provide the dealer with the model name and information that appeared in the remote controller display.</li> </ul>
Draining water or motor rotation sound is heard.	<ul style="list-style-type: none"> <li>■ When cooling operation stops, the drain pump operates and then stops. Wait approximately 3 minutes.</li> </ul>

## 10. Trouble Shooting

Having trouble?	Here is the solution. (Unit is operating normally.)												
Noise is louder than specifications.	<p>■ The indoor operation sound level is affected by the acoustics of the particular room as shown in the following table and will be higher than the noise specification, which was measured in an echo-free room.</p> <table border="1"> <thead> <tr> <th></th> <th>High sound-absorbing rooms</th> <th>Normal rooms</th> <th>Low sound-absorbing rooms</th> </tr> </thead> <tbody> <tr> <td>Location examples</td> <td>Broadcasting studio, music room, etc.</td> <td>Reception room, hotel lobby, etc.</td> <td>Office, hotel room</td> </tr> <tr> <td>Noise levels</td> <td>3 to 7 dB</td> <td>6 to 10 dB</td> <td>9 to 13 dB</td> </tr> </tbody> </table>		High sound-absorbing rooms	Normal rooms	Low sound-absorbing rooms	Location examples	Broadcasting studio, music room, etc.	Reception room, hotel lobby, etc.	Office, hotel room	Noise levels	3 to 7 dB	6 to 10 dB	9 to 13 dB
	High sound-absorbing rooms	Normal rooms	Low sound-absorbing rooms										
Location examples	Broadcasting studio, music room, etc.	Reception room, hotel lobby, etc.	Office, hotel room										
Noise levels	3 to 7 dB	6 to 10 dB	9 to 13 dB										
Nothing appears in the wireless remote controller display, the display is faint, or signals are not received by the indoor unit unless the remote controller is close.	<p>■ The batteries are low. Replace the batteries and press the Reset button.</p> <p>■ If nothing appears even after the batteries are replaced, make sure that the batteries are installed in the correct directions (+, -).</p>												
The operation lamp near the receiver for the wireless remote controller on the indoor unit is flashing.	<p>■ The self diagnosis function has operated to protect the air conditioner.</p> <p>■ Do not attempt to repair this equipment by yourself. Turn off the power switch immediately and consult your dealer. Be sure to provide the dealer with the model name.</p>												

## 11. Installation, relocation and inspection

### Installation place

Avoid installing the air conditioner in the following places.

- Where flammable gas could leak.

#### ⚠ Caution:

**Do not install the unit where flammable gas could leak. If gas leaks and collects around the unit, it may cause an explosion.**

- Where there is much machine oil.
- Salty place such as the seaside.
- Where sulfide gas is generated such as a hot spring.
- Where there is oil splashing or much oily smoke.

#### ⚠ Warning:

**If the air conditioner operates but does not cool or heat (depending on model) the room, consult your dealer since there may be a refrigerant leak. Be sure to ask the service representative whether there is refrigerant leakage or not when repairs are carried out.**

**The refrigerant charged in the air conditioner is safe. Refrigerant normally does not leak, however, if refrigerant gas leaks indoors, and comes into contact with the fire of a fan heater, space heater, stove, etc., harmful substances will be generated.**

### Electrical work

- Provide an exclusive circuit for power supply of the air conditioner.
- Be sure to observe the breaker capacity.

#### ⚠ Warning:

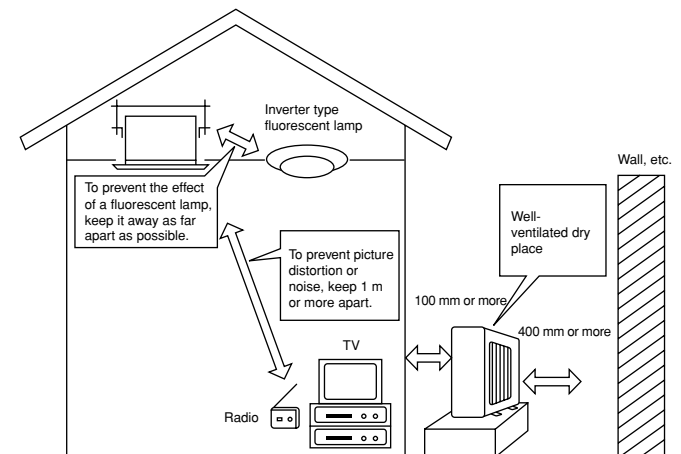
- **The customer should not install this unit. If the unit is installed incorrectly, fire, electric shock, injury due to a falling unit, water leakage, etc. may result.**
- **Do not connect using branched outlet or an extension cord, and do not attach many loads to one electric outlet. A fire or electric shock may result from poor contact, poor insulation, exceeding the permissible current, etc. Consult your dealer.**

#### ⚠ Caution:

- **Apply grounding**  
Do not connect a grounding wire to a gas pipe, water pipe, lightning rod or ground wire of a telephone.  
If a grounding is incorrect, it may cause an electric shock.
- **Install an earth leakage breaker depending on the place where the air conditioner is to be installed (humid place, etc.).**  
If the earth leakage breaker is not installed, it may cause an electric shock.

### Inspection and maintenance

- When the air conditioner is used for several seasons, the capacity may be lowered due to dirt inside the unit.
- Depending upon the conditions of use, an odor may be generated or dirt, dust, etc. may prevent proper drainage.
- It is recommended to apply inspection and maintenance (charged) by a specialist in addition to normal maintenance. Consult your dealer.





## 11. Installation, relocation and inspection

### Also consider operation sound

- Do not put an object around the air outlet of the outdoor unit. It may cause lowering of capacity or increase operating sound.
- If abnormal sound is heard during operation, consult your dealer.

### Relocation

- When the air conditioner is to be removed or reinstalled because of rebuilding, moving, etc., special techniques and work are required.

### ⚠ Warning:

Repair or relocation should not be done by the customer.

If this is done incorrectly, it may cause a fire, electric shock, injury by dropping of the unit, water leakage, etc. Consult your dealer.

### Disposal

- To dispose of this product, consult your dealer.

If you have any question, consult your dealer.

## 12. Specifications

Model		SEZ-KD25VAQ	SEZ-KD35VAQ	SEZ-KD50VAQ	SEZ-KD60VAQ	SEZ-KD71VAQ
Power supply		~/N, 230V, 50Hz/220-230V, 60Hz				
Input (Indoor only)	kW	0.04	0.05	0.07	0.07	0.10
Current (Indoor only)	A	0.39	0.46	0.63	0.63	0.84
Airflow (Lo-Mid-Hi)	CMM	5.5-7-9	7-9-11	10-12.5-15	12-15-18	12-16-20
Ext. static pressure	Pa	5/15/35/50	5/15/35/50	5/15/35/50	5/15/35/50	5/15/35/50
Noise level (Lo-Mid-Hi)	dB	23-26-30	23-28-33	30-34-37	30-34-38	30-35-40
Dimension (H×W×D)	mm	200×790×700	200×990×700	200×990×700	200×1190×700	200×1190×700
Weight	kg	18	21	23	27	27

- Notes: 1. Specifications subject to change without notice.  
2. The external static pressure is set to 15 Pa at factory shipment.

### Guaranteed operating range

		Indoor	Outdoor		
			SUZ-KA25, 35VA	SUZ-KA50, 60, 71VA	SUZ-KA-NA
Cooling	Upper limit	32°C DB, 23°C WB	46°C DB, –	43°C DB, –	
	Lower limit	21°C DB, 15°C WB	-10°C DB, –		18°C DB, –
Heating	Upper limit	27°C DB, –	24°C DB, 18°C WB		
	Lower limit	20°C DB, –	-10°C DB, -11°C WB		

Units should be installed by licensed electric contractor accordingly to local code requirement.

# Содержание

1. Меры предосторожности .....	164	7. Другие функции .....	171
2. Наименования частей .....	164	8. Выбор функции .....	172
3. Конфигурация экрана .....	166	9. Очистка и уход .....	176
4. Установка дня недели или времени .....	166	10. Устранение неисправностей .....	177
5. Работа .....	167	11. Установка, перемещение и проверка .....	178
6. Таймер .....	168	12. Спецификации .....	179

Примечание  
(отметки для WEEE)



Данный символ используется только в странах ЕС.

Данный символ используется согласно Директиве 2002/96/ЕС Статья 10 Информация для пользователя и Приложения IV.

Приобретенный Вами продукт компании MITSUBISHI ELECTRIC разработан и произведен из материалов высокого качества, а также деталей, которые могут быть использованы повторно.

Данный символ означает, что электрическое и электронное оборудование по окончании срока службы должно быть утилизировано отдельно от бытового мусора.

Пожалуйста, сдавайте данное оборудование в организацию по сбору/утилизации отходов по месту проживания.

В странах Евросоюза существуют отдельные системы для сбора использованных электрических и электронных изделий.

Пожалуйста, помогайте нам беречь окружающую среду, в которой мы живем!

**Примечание:** Фраза "проводной пульт дистанционного управления" в данном руководстве по эксплуатации относится только к PAR-21MAA. При необходимости в получении информации по PAR-30MAA см. руководство, которое входит в комплект поставки PAR-30MAA.

## 1. Меры предосторожности

- ▶ Перед началом установки блока убедитесь в том, что Вы полностью прочли раздел "Меры предосторожности"
- ▶ Данный раздел содержит важные положения по технике безопасности. Убедитесь в том, что они соблюдаются.
- ▶ Перед подключением к системе, поставьте в известность администрацию или получите соответствующее разрешение.

### Символы, используемые в тексте

**⚠ Внимание:**

Разъясняет меры предосторожности, которые следует соблюдать для предупреждения травматизма или смерти пользователя.

**⚠ Осторожно:**

Разъясняет меры предосторожности, которые следует соблюдать для предупреждения повреждения аппарата.

### Символы, используемые в иллюстрациях

**⚡ :** Указывает часть, которая должна быть заземлена.

**⚠ Внимание:**

- Установка блока не должна выполняться пользователем. Для выполнения установки кондиционера обратитесь к дилеру или в авторизованный центр. - Неправильная установка может привести к поражению электрическим током или возгоранию.
- Не ставьте и не кладите на блок никаких предметов.
- Не проливайте воду на блок и не прикасайтесь к нему влажными руками. Это может привести к поражению электрическим током.
- Не распыляйте горючий газ вблизи блока. Это может привести к возгоранию.
- Не устанавливайте газовую плиту или другие приборы с открытым пламенем с мест, где они будут подвержены воздействию воздушного потока, нисходящего из кондиционера. Это может привести к неполному сгоранию.
- Не снимайте переднюю панель или защиту вентилятора с наружного блока во время его работы.

- При выявлении исключительно нехарактерных шумов или вибрации остановите работу блока, выключите электропитание и свяжитесь с Вашим дилером.
- Никогда не вставляйте пальцы, стержни и т.п. во впускные или выпускные отверстия.
- В случае обнаружения посторонних запахов, завершите работу блока, отключите питание и свяжитесь с Вашим дилером. В противном случае, это может привести к поломке, поражению электрическим током или возгоранию.
- Данный кондиционер НЕ предназначен для эксплуатации детьми и инвалидами без присмотра.
- Маленьких детей необходимо контролировать, чтобы они не играли с кондиционером.
- В случае выдувания или утечки паров хладагента завершите работу кондиционера, тщательно провентилируйте помещение и свяжитесь с Вашим дилером.

**⚠ Осторожно:**

- Не используйте острые предметы для нажатия кнопок, так как это может повредить пульт дистанционного управления.
- Никогда не заграждайте или не накрывайте впускные или выпускные отверстия внутреннего и наружного блоков.

### Прекращение эксплуатации блока

В случае завершения эксплуатации блока свяжитесь с Вашим дилером.

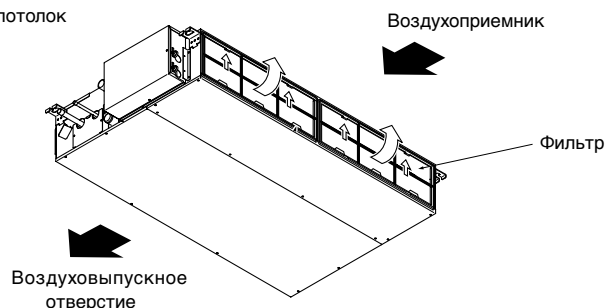
## 2. Наименования частей

### ■ Внутренний блок

	SEZ-KD-VAQ
Ступени вентилятора	3 ступени
Лопасты	-
Жалюзи	-
Фильтр	Норма
Индикатор очистки фильтра	-

### ■ SEZ-KD-VAQ

Потайной потолок



## 2. Наименования частей

### ■ Проводной пульт дистанционного управления (Дополнительно)

#### Секция дисплея

С целью объяснения, все части дисплея показаны как светящиеся. Во время фактической работы кондиционера загораются только соответствующие обозначения.

#### Определяет текущее действие

Отображает режим работы и т.д.  
\* Поддерживается многоязыковой дисплей.

#### Индикатор "Centrally Controlled" (С Централизованным Управлением)

Означает, что работа пульта дистанционного управления запрещена главным пультом.

#### Индикатор "Timer is Off" (Таймер выключен)

Показывает, что таймер выключен.

#### Установка температуры

Отображает температуру объекта

#### День недели

Показывает текущий день недели.

#### Дисплей Время/Таймер

Отображает текущее время, пока не установлен обычный таймер или таймер автоматического выключения. Если устанавливается обычный таймер или таймер автоматического выключения, на дисплее отображается оставшееся время.

#### Индикатор "Sensor" (Датчик)

Отображается при использовании датчика пульта дистанционного управления.

#### Индикатор "Locked" (Заблокировано)

Показывает, что кнопки пульта дистанционного управления заблокированы.

#### Индикатор "Clean The Filter" (Требуется очистка фильтра)

Появляется, когда подходит время очистки фильтра.

#### Индикаторы таймера

Данный индикатор появляется, если установлен соответствующий таймер.


#### Индикатор скорости вентилятора

Отображает заданную скорость вентилятора.

#### Индикатор вентиляции

Появляется, когда блок работает в режиме вентиляции.

#### Индикатор направления воздушного потока Вверх/Вниз

Индикатор  показывает направление выходящего воздушного потока.

#### Индикатор "One Hour Only" (Только один час)

Отображается, если установлен слабый и нисходящий поток воздуха в режиме COOL (ОХЛАЖДЕНИЕ) или DRY (ОСУШЕНИЕ). (Работа отличается в зависимости от модели.)  
Индикатор выключается через час с того момента, когда изменяется направление воздушного потока.

#### Дисплей комнатной температуры

Отображает значение температуры в помещении. Диапазон отображаемой температуры составляет от 8 до 39°C. Дисплей начинает мигать, если температура меньше 8°C или больше 39°C.

#### Дисплей жалюзи

Показывает работу жалюзи. Не появляется, если жалюзи неподвижны.

#### (Индикатор питания)

Показывает, что электропитание включено.

#### Рабочий раздел



#### Кнопки установки температуры

-  Вниз
-  Вверх

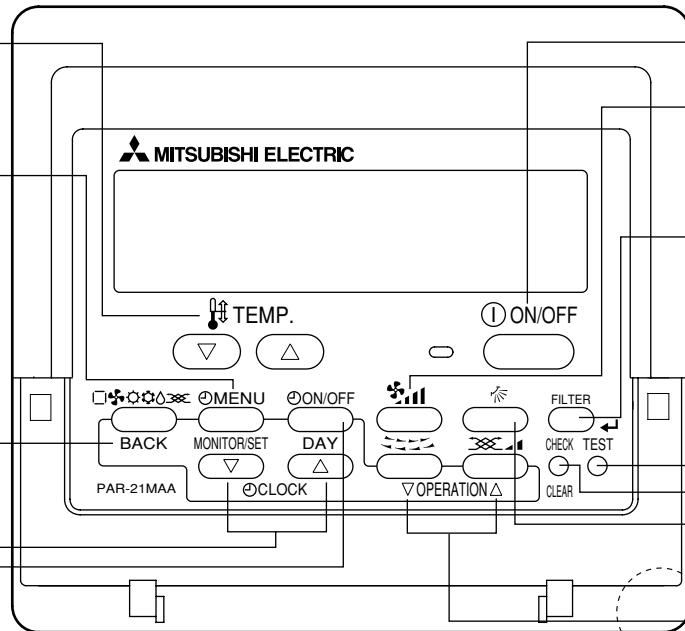
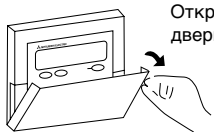
#### Кнопка Меню таймера (кнопка Просмотр/Установка)

#### Кнопка Mode (Режим) (Кнопка возврата)

#### Кнопки установки времени

-  Назад
-  Вперед

#### Кнопка Timer On/Off (Таймер ВКЛ/ВЫКЛ) (Кнопка Установка дня)



#### Кнопка ON/OFF (ВКЛ/ВЫКЛ)

#### Кнопка установки скорости вентилятора

#### Кнопка Фильтр (кнопка <Ввод>)

#### Кнопка пробного запуска

#### Кнопка Check (Проверка) (кнопка очистки)

#### Кнопка Airflow Up/Down (Поток воздуха Вверх/Вниз)

#### Кнопка жалюзи (Кнопка действия)

#### К номеру предыдущего действия.

#### Кнопка Ventilation (Вентиляция) (кнопка действия)

#### К номеру следующего действия.

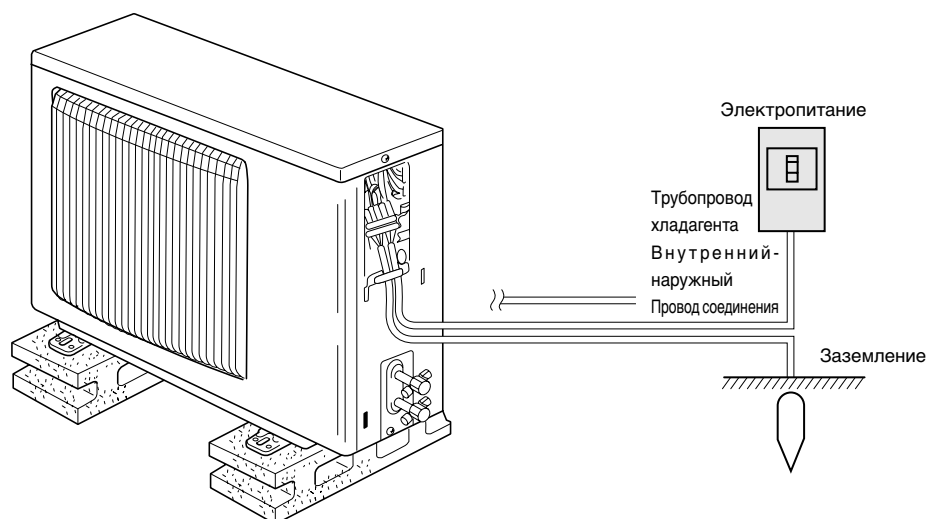
Встроенный датчик температуры

#### Примечание:

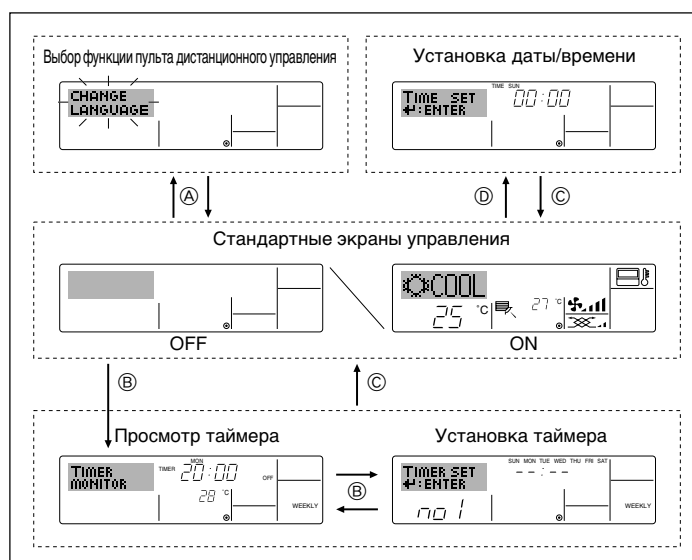
- Сообщение "PLEASE WAIT" (ПОЖАЛУЙСТА, ПОДОЖДИТЕ)  
Данное сообщение отображается примерно 3 минуты, когда питание подается на внутренний блок или при восстановлении блока после перебоя в питании.
- Сообщение "NOT AVAILABLE" (НЕДОСТУПНО)  
Данное сообщение отображается при нажатии кнопки выбора функции, которая для внутреннего блока недоступна.  
Если для одновременного управления несколькими внутренними блоками разных моделей используется один пульт дистанционного управления, данное сообщение не будет отображаться, даже если эта функция доступна для одного из блоков.

## 2. Наименования частей

### ■ Наружный блок



## 3. Конфигурация экрана



### <Типы экрана>

Подробная информация об установке языка дисплея пульта дистанционного управления приведена в части 8 раздела Выбор функции.

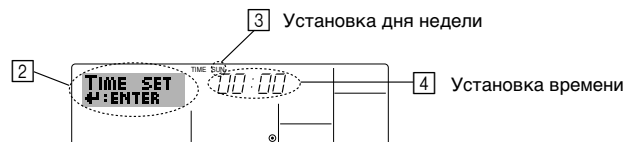
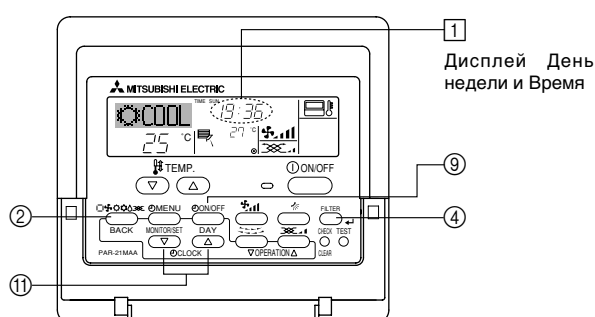
Языком по умолчанию является английский.

- Выбор функции пульта дистанционного управления:  
Установите функции и диапазоны, доступные для пульта дистанционного управления (функции таймера, рабочие ограничения и т.д.)
- Установка даты/времени:  
Установите текущий день недели или время.
- Стандартные экраны управления:  
Посмотрите и установите рабочий статус системы кондиционирования воздуха
- Просмотр таймера:  
Посмотрите текущий таймер (недельный таймер, обычный таймер или таймер автоматического выключения)
- Установка таймера:  
Установите один из таймеров (недельный таймер, обычный таймер или таймер автоматического выключения).

### <Как изменить экран>

- Ⓐ : Удерживайте кнопку Меню и Таймер ВКЛ/ВЫКЛ в течение 2-х секунд.
- Ⓑ : Нажмите кнопку Меню Таймера.
- Ⓒ : Нажмите кнопку Режим (Возврат).
- Ⓓ : Нажмите одну из кнопок установки времени (▽ или △).

## 4. Установка дня недели или времени



### Примечание:

- Дата и время не будут отображаться, если использование часов отключено в разделе Выбор функции на пульте дистанционного управления.
- После возобновления электропитания внутренний блок не включается в течение 3-х минут. Указанное действие является нормой.

1. Чтобы показать дисплей ②, нажмите одну из кнопок установки времени ⑩ ▽ или △.
2. Для установки дня нажмите кнопку ⑨ Таймер ВКЛ/ВЫКЛ (установка дня).  
\* Каждое нажатие кнопки продвигает отображаемый день на ③ : Вс → Пн → ... → Пт → Сб.
3. Если необходимо установить время, нажмите соответствующую кнопку установки времени ⑪.  
\* Если удерживать кнопку нажатой, время (на ④) будет возрастать сначала в минутном интервале, затем в десятиминутном интервале, а затем часовом интервале.
4. Для фиксации установок, выполненных во время шагов 2 и 3 нажмите кнопку Фильтр ④.

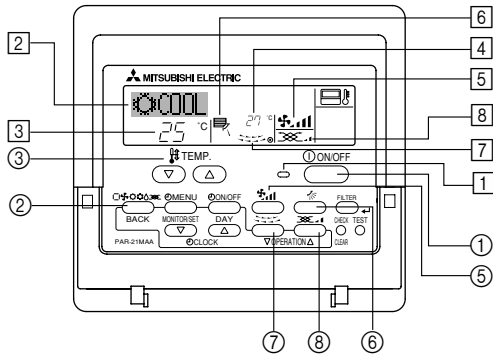
### Примечание:

- Новые данные, введенные во время шагов 2 и 3, будут отменены, если нажать кнопку Режим (Возврат) ② перед тем, как нажать кнопку Фильтр ④.
5. Для завершения установок нажмите кнопку Режим (Возврат) ②. Данное действие переведет дисплей в стандартный режим, где ① будет отображать заново установленные день и время.

## 5. Работа

### 5.1. Описание "AUTO RESTART FUNCTION" (ФУНКЦИЯ АВТОМАТИЧЕСКОГО ПЕРЕЗАПУСКА)

- Данный блок оснащен функцией автоматического перезапуска. После включения питания кондиционер начнет работу в режиме, который был установлен с помощью пульта дистанционного управления перед выключением питания.
- Если перед выключением блока из сети он был выключен с помощью пульта дистанционного управления, при следующем включении питания он все равно не начнет работу.
- Если перед выключением из сети блок был переведен в режим TEST RUN (ПРОБНЫЙ ЗАПУСК), при включении питания он начнет работу в том режиме, который был установлен с помощью пульта дистанционного управления до перевода в режим TEST RUN (ПРОБНЫЙ ЗАПУСК).



### 5.2. Включение/Выключение

#### <Запуск действия>

- Нажмите кнопку ON/OFF (ВКЛ/ВЫКЛ) ①.

- На дисплее загорается лампочка ON (ВКЛ) ①.

#### Примечание:

- После повторного запуска блока настройками по умолчанию являются следующие настройки.

	Установки пульта дистанционного управления	
Режим	Последний рабочий режим	
Установка температуры	Последняя установка температуры	
Скорость вентилятора	Последняя установленная скорость вентилятора	
Поток воздуха вверх/вниз	Режим	COOL (ОХЛАЖДЕНИЕ) или DRY (ОСУШЕНИЕ) / Горизонтальный выход
		ОБОГРЕВ / Последняя установка
		ВЕНТИЛЯТОР / Горизонтальный выход

#### <к запуску>

- Снова нажмите кнопку ON/OFF (ВКЛ/ВЫКЛ) ①.

- Лампочка ВКЛ ① на дисплее гаснет.

#### Примечание:

Даже если кнопка ON/OFF (ВКЛ/ВЫКЛ) нажимается сразу после выключения кондиционера, он не будет запускаться в течение трех минут. Это позволяет предупреждать повреждение внутренних деталей.

### 5.3. Выбор режима

- Если блок выключен, нажмите кнопку ON/OFF (ВКЛ/ВЫКЛ), чтобы включить его.

- ① Должен загореться индикатор ON (ВКЛ).

- Нажмите кнопку рабочего режима (☼/☼/☼/☼) ② и выберите рабочий режим ②.

- ☼ Режим охлаждения
- ☼ Режим осушения
- ☼ Режим вентилятора
- ☼ Режим обогрева
- ☼ Автоматический (охлаждение/обогрев) режим
- ☼ Режим вентиляции

Отображается только в следующем состоянии

Используется проводной пульт дистанционного управления  
Подсоединение LOSSNAY

### Информация для мультисистемного кондиционера воздуха (Наружный блок: модели MXZ)

- ▶ Мультисистемный кондиционер воздуха (Наружный блок: модели MXZ) может соединять два или более внутренних блоков с наружным блоком. В зависимости от мощности, два или более блоков могут работать одновременно.

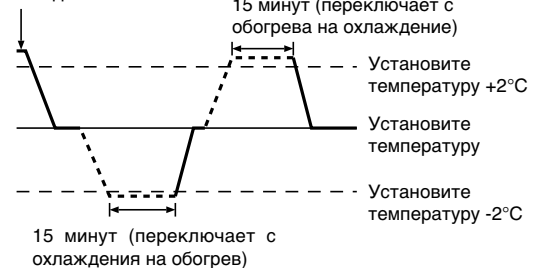
- Если с одним наружным блоком Вы пытаетесь использовать один из внутренних блоков для охлаждения, а другой для обогрева одновременно, будет выбран рабочий режим того блока, который был запущен раньше. Другие внутренние блоки, которые будут запущены позже, работать не смогут, а индикатор рабочего состояния начнет мигать.
- В таком случае, пожалуйста, установите один рабочий режим для всех внутренних блоков. ☼ Может быть случай, когда внутренний блок, который работает в автоматическом режиме, не может переключить рабочий режим (COOL (ОХЛАЖДЕНИЕ) ↔ HEAT (ОБОГРЕВ)) и переходит в режим ожидания.
- Если внутренний блок запускается во время выполнения размораживания наружного блока, примерно в течение 15 минут происходит выдувание теплого воздуха.
- Если во время работы кондиционера в режиме обогрева неработающий блок нагревается или же слышен проток хладагента в системе, это не является признаком неисправности. Причиной этого является постоянно затекающий в него хладагент.

#### Автоматическая работа

- Согласно заданной температуре, работа в режиме охлаждения начинается, если температура в помещении слишком высокая, а работа в режиме обогрева начинается, если температура в помещении слишком низкая.

- Если во время автоматической работы кондиционера температура в помещении изменяется на 2 или более градусов (°C), чем заданная температура, и удерживается на таком уровне в течение 15 минут, кондиционер автоматически переключается в режим охлаждения. И опять же, если температура в помещении опускается на 2 или более градусов (°C) от заданной температуры, и удерживается на таком уровне в течение 15 минут, кондиционер автоматически переключается в режим обогрева.

#### Режим охлаждения



- Из-за того, что температура в помещении автоматически настраивается для поддержания фиксированной оптимальной температуры, работа в режиме охлаждения выполняется на несколько градусов теплее, а работа в режиме обогрева работает на несколько градусов холоднее, чем заданная температура при ее достижении (автоматическое энергосбережение).

### 5.4. Установка температуры

#### ▶ Для уменьшения температуры в помещении:

Для установки желаемой температуры нажмите кнопку ☼ ③.

Будет отображаться заданная температура ③.

- При каждом нажатии кнопки значение температуры уменьшается на 1°C.

#### ▶ Для увеличения температуры в помещении:

Для установки желаемой температуры нажмите кнопку ☼ ③.

Будет отображаться заданная температура ③.

- При каждом нажатии кнопки значение температуры уменьшается на 1°C.

- Доступны следующие диапазоны температуры:

Охлаждение/Осушение: 19 - 30 °C

Обогрев: 17 - 28 °C

Автоматический: 19 - 28 °C

- Если на дисплее мигает 8°C - 39°C, это означает, что температура в помещении выше или ниже указанных значений.

### 5.5. Установка скорости вентилятора

- Для выбора нужной скорости вентилятора нажмите кнопку ☼ ⑤.

- При каждом нажатии кнопки, на дисплее ⑤ пульта дистанционного управления меняются доступные функции, как показано ниже.

Скорость вентилятора	Дисплей пульта дистанционного управления			
	Низкая	Средняя	Высокая	Автоматически
3-ступенчатая	☼ ) ↓ ☼	☼ ) ☼	☼ ) ☼	☼

## 5. Работа

Дисплей и скорость вентилятора блока будут отличаться в следующих случаях:

- Когда на дисплее отображаются STAND BY (РЕЖИМ ГОТОВНОСТИ) и DEFROST (РАЗМОРАЖИВАНИЕ).
- Только после режима обогрева (во время ожидания переключения в другой режим).
- Если температура в помещении выше, чем заданная температура блока, работающего в режиме обогрева.
- В режиме осушения внутренний вентилятор автоматически переключается на малые обороты. Переключение скорости вентилятора невозможно.
- Когда температура теплообменника в режиме обогрева низкая (например, сразу после запуска блока в данном режиме).


**Примечание:**

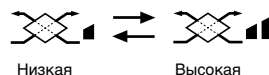
- В следующих случаях фактическая скорость вентилятора будет отличаться от ее значения, заданного на дисплее пульта дистанционного управления.
  1. Когда на дисплее отображается "STAND BY" (РЕЖИМ ГОТОВНОСТИ) или "DEFROST" (РАЗМОРАЖИВАНИЕ).
  2. Когда температура теплообменника в режиме обогрева низкая (например, сразу после запуска блока в данном режиме).
  3. В режиме HEAT (ОБОГРЕВ), когда температура в помещении выше, чем заданная температура.
  4. Когда блок работает в режиме DRY (ОСУШЕНИЕ).

## 5.6. Вентиляция

► Для комбинации LOSSNAY

### 5.6.1. Для проводного пульта дистанционного управления

- Для запуска вентилятора вместе с внутренним блоком:
  - Нажмите кнопку ON/OFF (ВКЛ/ВЫКЛ) ①.
    - На экране ⑧ появляется индикатор Vent (Вентиляция). Теперь вентилятор будет работать в автоматическом режиме, независимо от того, когда работает внутренний блок.
- Для независимого запуска вентилятора:
  - Нажимайте кнопку Режим ②, пока на дисплее не появится . Это приведет к запуску вентилятора.
- Для изменения силы вентилятора:
  - Нажимайте кнопку Ventilation (Вентиляция) ⑥ необходимое количество раз.
    - Каждое нажатие переключает установку, как показано ниже.



## 6. Таймер

### 6.1. Для проводного пульта дистанционного управления

В данном разделе объясняется, как следует устанавливать и пользоваться таймером. В разделе Выбор функции пульта дистанционного управления Вы можете выбрать один из трех типов таймера:

- ① Недельный таймер, ② Простой таймер или ③ Таймер автоматического выключения.

Информация о том, как установить опцию Выбор функции пульта дистанционного управления, приведена в разделе 8. [4]-3 (3).

#### 6.1.1. Недельный таймер

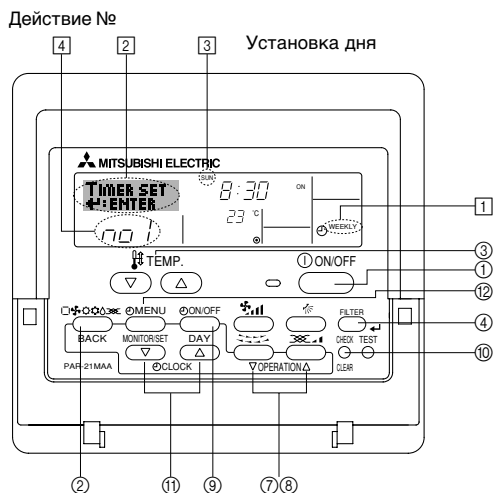
- Недельный таймер может быть использован для установки до восьми действий на каждый день недели.
  - Каждое действие может быть одним из следующих: ON/OFF (ВКЛ/ВЫКЛ) времени вместе с установкой температуры, или только ON/OFF (ВКЛ/ВЫКЛ) времени или только установка температуры.
  - Когда текущее время достигает значения, установленного на таймере, кондиционер начинает выполнение действий, установленных таймером.
- Разрешение установки времени для этого таймера составляет 1 минуту.

**Примечание:**

\*1. Недельный таймер/Обычный таймер/Таймер автоматического выключения не могут использоваться одновременно.

\*2. Недельный таймер не будет работать, если выполняется одно из следующих условий.

Функция таймера выключена; система неисправна; выполняется пробный запуск; пульт дистанционного управления подвергается самопроверке или проверке пульта; пользователь находится в процессе выбора функции; пользователь находится в процессе установки таймера; пользователь находится в процессе установки текущего дня недели или времени; осуществляется центральное управление системой. (Специфически, система не выполняет действия (блок включен, блок выключен или установка температуры), которые в перечисленных условиях запрещены.)



#### <Как установить недельный таймер>

1. Убедитесь в том, что отображается стандартный экран, а также индикатор ① недельного таймера.
2. Нажмите кнопку ② Timer Menu (Меню Таймера) так, чтобы на экране (②) появилась индикация "Set Up" (Установка). (Помните, что каждое нажатие кнопки переключает дисплей между "Set Up" (Установка) и "Monitor" (Просмотр)).
3. Для установки дня нажмите кнопку ③ Таймер ВКЛ/ВЫКЛ (установка дня). Каждое нажатие продвигает дисплей ③ к следующей установке в такой последовательности: "Пн Вт Ср Чт Пт Сб Вс" → "Вс" → ... → "Пт" → "Сб" → "Вс Пн Вт Ср Чт Пт Сб"...
4. Для выбора соответствующего рабочего номера (1-8) ④ нажмите рабочую кнопку ∇ или ∆ (⑦ или ⑧).
  - \* Данные, введенные в Шагах 3 и 4, выберут одну из ячеек из таблицы, приведенной ниже. (Дисплей пульта дистанционного управления слева показывает, как будет выглядеть дисплей при установке Действия 1 для субботы в значении, указанном ниже.)

Таблица установок

Номер действия	Sunday	Monday	...	Saturday
No. 1	• 8:30 • ON • 23°C			
No. 2	• 10:00 • OFF	• 10:00 • OFF	• 10:00 • OFF	• 10:00 • OFF
...				
No. 8				

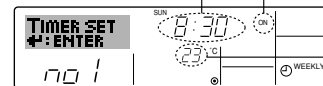
<Установки Действия 1 для субботы>  
Запустить кондиционер в 8:30 с установленной температурой 23°C.

**Примечание:**

Устанавливая день на "Вс Пн Вт Ср Чт Пт Сб", такое же действие можно установить для ежедневного выполнения в одно и тоже время. (Пример: Действие 2 выше, которое является одинаковым для всех дней недели.)

#### <Установка Недельного Таймера>

Отображает установку времени ⑤ ⑥ Отображает выбранное действие (ВКЛ или ВЫКЛ)  
\* Не отображается, если действие не установлено.



Отображает установленную температуру \* Не отображается, если температура не установлена.

## 6. Таймер

- Если необходимо установить время (в [5]), нажмите соответствующую кнопку установки времени [10].
  - \* Если удерживать кнопку нажатой, время будет возрастать сначала в минутном интервале, затем в десятиминутном интервале, а затем часовом интервале.
- Для выбора необходимого действия (ВКЛ или ВЫКЛ) нажмите кнопку ON/OFF (ВКЛ/ВЫКЛ) [1] (в [6]).
  - \* Каждое нажатие изменяет следующую установку в такой последовательности: Индикация отсутствует (нет установки) → "ON (ВКЛ)" → "OFF (ВЫКЛ)"
- Для установки нужной температуры нажмите соответствующую кнопку Установка температуры [3] (в [7]).
  - \* Каждое нажатие изменяет установку в такой последовательности: Индикация отсутствует (нет установки) ⇔ 24 ⇔ 25 ⇔ ... ⇔ 29 ⇔ 30 ⇔ 12 ⇔ ... ⇔ 23 ⇔ индикация отсутствует.  
(Доступный диапазон: Диапазон для установки составляет от 12°C до 30°C. Однако фактический диапазон, в котором температура может контролироваться, будет отличаться, в зависимости от подсоединенного блока.)
- Для сохранения установок, выполненных во время Шагов 5, 6 и 7, нажмите кнопку Фильтр [4].
 

Для очистки текущих установок для выбранного действия, нажмите и быстро отпустите кнопку Check (Проверка) (Clear (Очистка)) [10].

  - \* Отображаемая установка времени изменится на " — : — ", а знак On/Off (Вкл/Выкл) и установки температуры исчезнут.  
(Для одновременной очистки всех установок недельного таймера удерживайте нажатой кнопку Check (Проверка) (Clear (Очистка)) [10] в течение двух секунд. Дисплей начнет мигать, означая, что все установки очищены.)

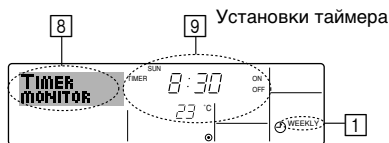
### Примечание:

Новые данные будут отменены, если нажать кнопку Режим (Возврат) [2] перед тем, как нажать кнопку Фильтр [4].

Если установлены два или более разных действий на одно и то же время, в таком случае будет выполнено действие, имеющее высший Номер действия.

- Для заполнения как можно большего количества доступных ячеек повторите шаги от 3 до 8.
- Для завершения установок и возвращения к стандартному экрану нажмите кнопку Режим (Возврат) [2].
- Для активации таймера нажмите кнопку Timer On/Off (Таймер Вкл/Выкл) 9 так, чтобы исчезла индикация "Timer Off" (Таймер Выкл). **Убедитесь в том, что индикация "Timer Off" (Таймер Выкл) больше не отображается.**
  - \* Если установки таймера отсутствуют, на дисплее будет мигать индикация "Timer Off" (Таймер Выкл).

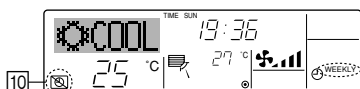
### <Как просмотреть установки Недельного Таймера>



- Убедитесь в том, что индикатор недельного таймера отображается на экране (в [1]).
- Нажмите кнопку Timer Menu (Меню Таймера) [2] так, чтобы на экране [8] появилась надпись "Monitor" (Просмотр).
- Для просмотра дня, который необходимо посмотреть, нажимайте кнопку Timer On/Off (Таймер Вкл/Выкл) (Установка дня) [9].
- Для изменения действия таймера, показанного на дисплее [9], нажимайте кнопку действия [7] или [8].
  - \* Каждое нажатие кнопки переводит к следующему действию таймера в порядке установки времени.
- Чтобы закрыть монитор и вернуться к стандартному экрану, нажмите кнопку Mode (Режим) (Return) (Возврат) [2].

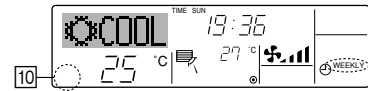
### <Выключение Недельного Таймера>

Нажмите кнопку Timer On/Off (Таймер Вкл/Выкл) [9] так, чтобы на дисплее [10] появилась индикация "Timer Off" (Таймер Выкл).



### <Включение Недельного Таймера>

Нажмите кнопку Timer On/Off (Таймер Вкл/Выкл) [9] так, чтобы индикация "Timer Off" (Таймер Выкл) на дисплее [10] погасла.



### 6.1.2. Обычный таймер

Обычный таймер можно установить любым из трех способов.

- Только время запуска:  
Кондиционер запускается по истечении установленного времени.
- Только время остановки:  
Кондиционер завершает работу по истечении установленного времени.
- Время запуска и остановки:  
Кондиционер запускается и завершает работу по истечении установленного времени.

Обычный таймер (запуск и остановка) может быть установлен один раз в течение 72 часов.

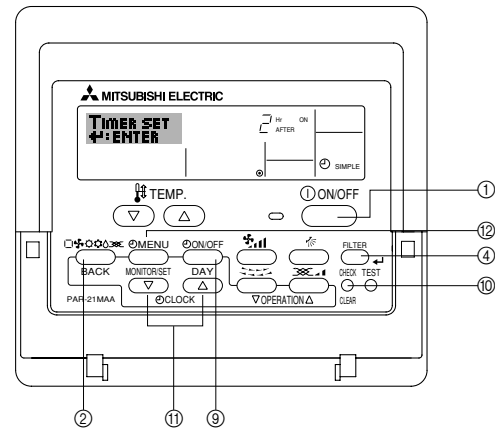
Установка времени осуществляется в часовом увеличении.

### Примечание:

\*1. Недельный таймер/Обычный таймер/Таймер автоматического выключения не могут использоваться одновременно.

\*2. Обычный таймер не будет работать, если выполняется одно из следующих условий.

Таймера выключен; система неисправна; выполняется пробный запуск; пульт дистанционного управления подвергается самопроверке или проверке пульта; пользователь находится в процессе выбора функции; пользователь находится в процессе установки таймера; осуществляется центральное управление системой. (При таких условиях действие On/Off (Вкл/Выкл) запрещено.)



### <Как установить Обычный Таймер>



- Убедитесь в том, что установлен стандартный экран, а индикатор обычного таймера [1] отображается на дисплее.  
Если на дисплее отображается другая индикация, но не Simple Timer (Обычный таймер), установите такую индикацию с помощью выбора функции установки таймера на пульте дистанционного времени (см. 8.[4]-3 (3)).
- Нажмите кнопку [2] Timer Menu (Меню Таймера) так, чтобы на экране [2] появилась индикация "Set Up" (Установка). (Помните, что каждое нажатие кнопки переключает дисплей между "Set Up" (Установка) и "Monitor" (Просмотр)).
- Для отображения текущих установок таймера ON (ВКЛ) или OFF (ВЫКЛ) нажмите кнопку ON/OFF (ВКЛ/ВЫКЛ) [1]. Первое нажатие кнопки отображает время, оставшееся до ON (включения), а повторное нажатие отображает время, оставшееся до OFF (выключения) кондиционера. (На дисплее [3] появляется индикация ON/OFF (ВКЛ/ВЫКЛ)).
  - Таймер "ON" (ВКЛЮЧЕНИЯ)  
Кондиционер запускается по истечении установленного количества часов.
  - Таймер "OFF" (ВЫКЛЮЧЕНИЯ)  
Кондиционер завершает работу по истечении установленного количества часов.
- При отображении "ON" (ВКЛ) или "OFF" (ВЫКЛ) на дисплее [3]: Нажмите соответствующую кнопку Set Time (Установка времени) [11] для установки времени (час) ВКЛЮЧЕНИЯ (если отображается "ON" (ВКЛ) или времени (час) ВЫКЛЮЧЕНИЯ (если отображается "OFF" (ВЫКЛ)).
  - Доступный диапазон: от 1 до 72 часов [4]

## 6. Таймер

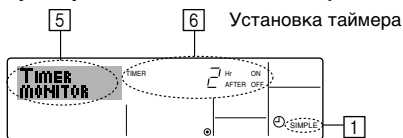
- Для установки времени ВКЛЮЧЕНИЯ и ВЫКЛЮЧЕНИЯ повторите Шаги 3 и 4.  
\* Помните, что время ВКЛЮЧЕНИЯ и ВЫКЛЮЧЕНИЯ не могут быть установлены на одинаковое значение.
- Для очистки текущей установки ВКЛЮЧЕНИЯ или ВЫКЛЮЧЕНИЯ: Выведите на дисплей установку ON (Вкл) или OFF (Выкл) (см. Шаг 3), после чего нажмите кнопку Check (Проверка) (Clear (Очистка)) (10) так, чтобы установка времени очистилась до появления на дисплее [4] индикации "—".
- После завершения выполнения Шагов 3-6, указанных выше, нажмите кнопку Filter (Фильтр) (14) (4), чтобы зафиксировать значение.

### Примечание:

Новые данные будут отменены, если перед нажатием кнопки Filter (Фильтр) (14) (4) нажать кнопку Mode (Режим) (Return (Возврат)) (2).

- Для возвращения к стандартному экрану нажмите кнопку Mode (Режим) (Return (Возврат)) (2).
- Для запуска отсчета таймера нажмите кнопку Timer On/Off (Таймер Вкл/Выкл) (9). Если таймер активирован, на дисплее отображаются его значения. **Убедитесь в том, что значения таймера четко видны и соответствуют действительности.**

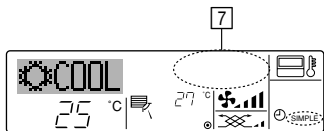
### <Просмотр текущих установок Обычного таймера>



- Убедитесь в том, что индикатор обычного таймера отображается на экране (1).
- Нажмите кнопку (12) Timer Menu (Меню Таймера) так, чтобы на экране (5) появилась индикация "Monitor" (Просмотр).
  - Если активирован обычный таймер ВКЛЮЧЕНИЯ или ВЫКЛЮЧЕНИЯ, текущее значение таймера будет отображаться на дисплее (6).
  - Если установлены значения и ВКЛЮЧЕНИЯ, и ВЫКЛЮЧЕНИЯ, оба параметра будут отображаться поочередно.
- Для закрытия дисплея просмотра и возврата к стандартному экрану нажмите кнопку Mode (Режим) (Return (Возврат)) (2).

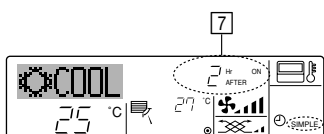
### <Выключение Обычного Таймера>

Нажмите кнопку Timer On/Off (Таймер Вкл/Выкл) (9), чтобы установка таймера больше не отображалась на экране (7).



### <Включение Обычного Таймера...>

Нажмите кнопку Timer On/Off (Таймер Вкл/Выкл) (9), чтобы на дисплее (7) появилась индикация установок таймера.



### Примеры

Если обычный таймер установлен как на ВКЛЮЧЕНИЕ, так и на ВЫКЛЮЧЕНИЕ, действие и дисплей имеют следующий вид.

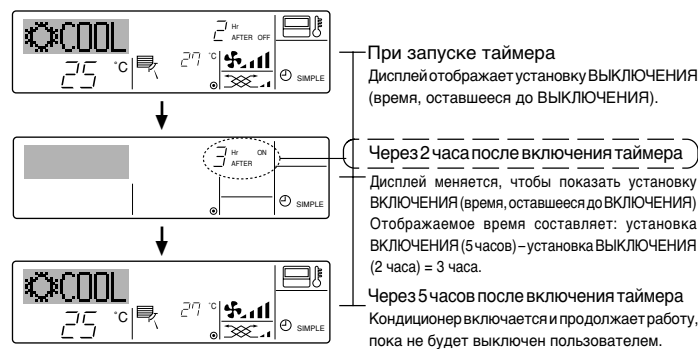
#### Пример 1:

Запустите таймер с временем ВКЛЮЧЕНИЯ раньше, чем время ВЫКЛЮЧЕНИЯ.  
Установка ВКЛЮЧЕНИЯ: 3 часа  
Установка ВЫКЛЮЧЕНИЯ: 7 часов



#### Пример 2:

Запустите таймер с временем ВЫКЛЮЧЕНИЯ раньше, чем время ВКЛЮЧЕНИЯ.  
Установка ВКЛЮЧЕНИЯ: 5 часов  
Установка ВЫКЛЮЧЕНИЯ: 2 часа



### 6.1.3. Таймер автоматического выключения

■ Данный таймер начинает отсчет времени после включения кондиционера, и выключает его по истечении установленного времени.

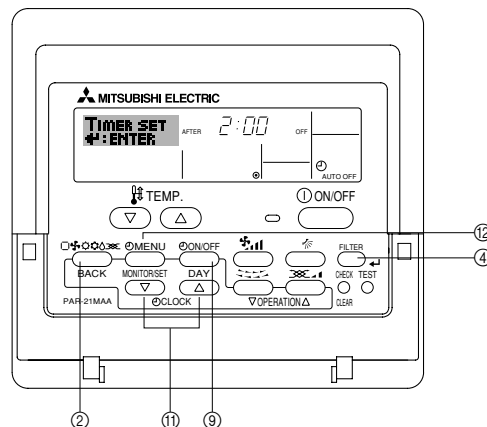
■ Пользователю доступны установки от 30 минут до 4 часов с интервалом 30 минут.

#### Примечание:

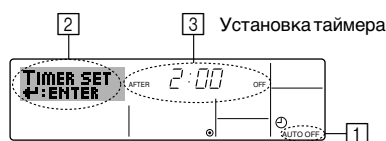
\*1. Недельный таймер/Обычный таймер/Таймер автоматического выключения не могут использоваться одновременно.

\*2. Недельный таймер не будет работать, если выполняется одно из следующих условий.

Таймера выключен; система неисправна; выполняется пробный запуск; пульт дистанционного управления подвергается самопроверке или проверке пульта; пользователь находится в процессе выбора функции; пользователь находится в процессе установки таймера; осуществляется центральное управление системой. (При таких условиях действие On/Off (Вкл/Выкл) запрещено.)



### <Как установить недельный таймер>



- Убедитесь в том, что установлен стандартный экран, а индикатор таймера автоматического отключения отображается на дисплее (1). Если на дисплее отображается другая индикация, но не Auto Off Timer (Таймер автоматического отключения), установите такую индикацию с помощью выбора функции установки таймера на пульте дистанционного времени (см. 8.[4]-3 (3)).
- Удерживайте нажатой кнопку Timer Menu (Меню Таймера) (12) в течение 3-х секунд так, чтобы на экране (2) появилась индикация "Set Up" (Установка). (Помните, что каждое нажатие кнопки переключает дисплей между "Set Up" (Установка) и "Monitor" (Просмотр)).
- Если необходимо установить время отключения (3), нажмите соответствующую кнопку Set Time (Установка времени) (11).
- Для сохранения установок нажмите кнопку Filter (Фильтр) (14) (4).

#### Примечание:

Новые данные будут отменены, если нажать кнопку Режим (Возврат) (2) перед тем, как нажать кнопку Фильтр (14) (4).

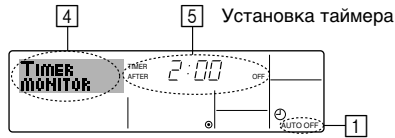
5. Для завершения установок и возвращения к стандартному экрану нажмите кнопку Режим (Возврат) (2).

6. Если кондиционер уже включен, отсчет времени таймером начинается незамедлительно. **Не забудьте проверить правильность отображения установок времени на дисплее.**



## 6. Таймер

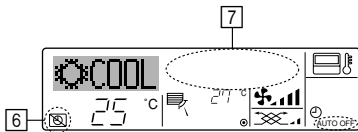
### <Проверка текущей установки таймера автоматического отключения>



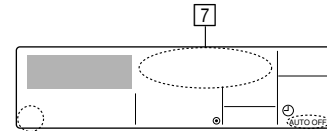
1. Убедитесь в том, что индикатор таймера автоматического отключения отображается на экране (1).
2. Удерживайте нажатой кнопку Timer Menu (Меню Таймера) (2) в течение **3-х секунд так**, чтобы на экране (4) появилась индикация "Monitor" (Установка).
  - Время, оставшееся до выключения, отображается на дисплее (5).
3. Чтобы закрыть монитор и вернуться к стандартному экрану, нажмите кнопку Mode (Режим) (Return) (Возврат) (2).

### <Выключение Таймера автоматического выключения ...>

- Удерживайте нажатой кнопку Timer On/Off (Таймер Вкл/Выкл) (3) в течение 3-х секунд так, чтобы появилась индикация "Timer Off" (Таймер Выкл) (6), а значение таймера исчезло (7).

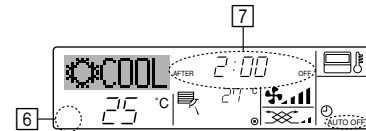


- В качестве альтернативы, выключите кондиционер самостоятельно. Значение таймера (7) исчезнет с экрана.



### <Включение Таймера автоматического выключения ...>

- Удерживайте нажатой кнопку Timer On/Off (Таймер Вкл/Выкл) (3) в течение **3-х секунд**. Индикация "Timer Off (Таймер Выкл)" (6) исчезает (8), а установка таймера появляется на дисплее (7).
- В качестве альтернативы, включите кондиционер. При этом появится значение таймера (7).



## 7. Другие функции

### 7.1. Блокировка кнопок пульта дистанционного управления (контроллер ограничения рабочей функции)

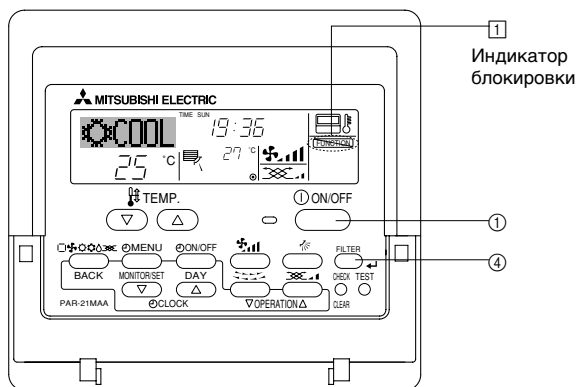
- Кнопки пульта дистанционного управления при желании могут быть заблокированы. Для выбора типа блокировки можно использовать опцию Function Selection (Выбор функций) пульта дистанционного управления. (Информация о порядке выбора типа блокировки приведена в пункте [4]-2 (1) раздела 8).

В частности, можно выбрать один из следующих типов блокировки.

- 1 Блокировка всех кнопок:  
Блокирует все кнопки пульта дистанционного управления.
- 2 Блокировка всех кнопок, за исключением ON/OFF (ВКЛ/ВЫКЛ):  
Блокирует все кнопки, кроме кнопки ON/OFF (ВКЛ/ВЫКЛ).

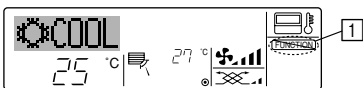
#### Примечание:

Индикация "Locked (Заблокировано)" означает, что в настоящее время кнопки заблокированы.



### <Как заблокировать кнопки>

1. Удерживая кнопку Filter (Фильтр) (4), нажмите и удерживайте кнопку ON/OFF (ВКЛ/ВЫКЛ) (2) в течение 2-х секунд. Индикация "Locked" (Заблокировано) на экране (1) означает, что в настоящий момент блокировка включена.
  - \* Если выбор функции пульта дистанционного управления отключен, на экране появится сообщение "Not Available" ("Недоступно"), если нажимать кнопки в соответствии с приведенным выше описанием.

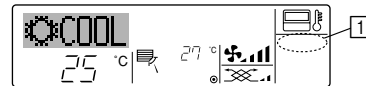


- Если Вы нажмете какую-либо заблокированную кнопку, на дисплее (1) будет мигать индикация "Locked" (Заблокировано).



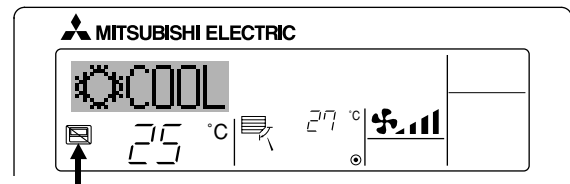
### <Как разблокировать кнопки>

1. Удерживая кнопку Filter (Фильтр) (4), нажмите и удерживайте кнопку ON/OFF (ВКЛ/ВЫКЛ) (2) в течение 2-х секунд — так чтобы индикация "Locked" (Заблокировано) исчезла с экрана (1).



### 7.2. Прочие индикации

#### 7.2.1. Centrally Controlled (С Централизованным Управлением)

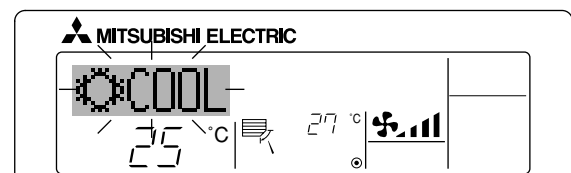


- Отображается, если операция выполняется путем централизованного управления и т.п. Ограниченные операции показаны ниже.
  - ON/OFF (ВКЛ/ВЫКЛ) (включая операцию по таймеру)
  - Рабочий режим
  - Установите температуру

#### Примечание:

Может также иметь индивидуальное ограничение.

#### 7.2.2. Индикатор мигающего режима

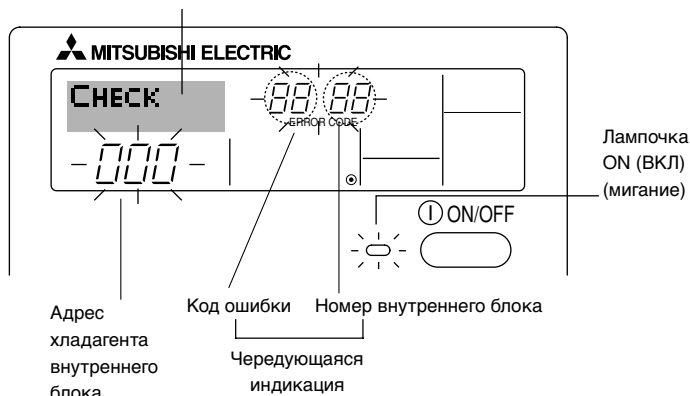


- Если мигает постоянно  
Отображается, если другой внутренний блок, подсоединенный к наружному блоку, уже функционирует в другом рабочем режиме. Соответствует рабочему режиму другого внутреннего блока.
- Если режим переключен после мигания индикации  
Отображается, если рабочий режим ограничивается для каждого сезона с помощью централизованного управления и т.п. Используйте другой рабочий режим.

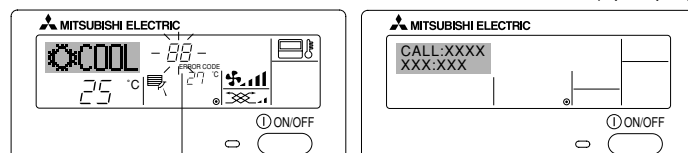
## 7. Другие функции

### 7.2.3. Индикация кодов ошибок

Если Вы ввели контактный номер, который будет появляться в случае проблемы, на экране будет отображаться этот номер. (Вы можете установить его путем выбора функции дистанционного управления. Для получения информации обратитесь к разделу 8.)



Если нажата кнопка Check (Проверка):



- Если мигает лампочка ON (ВКЛ) и код ошибки: Это означает, что кондиционер неисправен и его работа остановлена (и не может быть возобновлена) Запишите отображаемый номер аппарата и код ошибки, затем выключите питание кондиционера и обратитесь к дилеру или обслуживающему персоналу.
- Если мигает только код ошибки (в то время как лампочка ON (ВКЛ) остается включенной): Работа продолжается, однако в системе могут быть проблемы. В этом случае Вам следует записать код ошибки, а затем обратиться к дилеру и обслуживающему персоналу.
- \* Если Вы ввели контактный номер, который будет появляться в случае проблемы, нажмите кнопку Check (Проверка). (Вы можете установить его путем выбора функции дистанционного управления. Для получения информации обратитесь к разделу 8.)

## 8. Выбор функции

### Выбор функции пульта дистанционного управления

Установка следующих функций пульта дистанционного управления может быть изменена с помощью режима выбора функций. Измените установку в случае необходимости.

Группа 1	Группа 2	Группа 3 (Установка содержания)
1. Изменение языка ("CHANGE LANGUAGE") ("ИЗМЕНЕНИЕ ЯЗЫКА")	Установка языка дисплея	• Информация на дисплее может отображаться на нескольких языках.
2. Лимит функции ("FUNCTION SELECTION") ("ВЫБОР ФУНКЦИИ")	(1) Установка лимита функционирования (блокировка действия) ("LOCKING FUNCTION") ("ФУНКЦИЯ БЛОКИРОВКИ")	• Установка диапазона лимита функционирования (блокировка работа)
	(2) Используйте установку автоматического режима ("SELECT AUTO MODE") ("ВЫБОР АВТОМАТИЧЕСКОГО РЕЖИМА")	• Установка использования или неиспользования "автоматического" режима работы
	(3) Установка лимита температурного диапазона ("LIMIT TEMP FUNCTION") ("ФУНКЦИЯ ЛИМИТА ТЕМПЕРАТУРЫ")	• Установка регулируемого диапазона температуры (максимум, минимум)
	(4) Использование установки режима поднятия/опускания панели фильтра	(Для данной модели эта функция недоступна.)
	(5) Использование установок режима фиксированного направления воздушного потока	(Для данной модели эта функция недоступна.)
3. Выбор режима ("MODE SELECTION") ("ВЫБОР РЕЖИМА")	(1) Установка основного/вспомогательного пульта дистанционного управления ("CONTROLLER MAIN/SUB") ("ВСПОМОГАТЕЛЬНЫЙ/ОСНОВНОЙ ПУЛЬТ")	• Выбор основного или вспомогательного пульта дистанционного управления * Когда к одной группе подсоединены два пульта дистанционного управления, один из них должен исполнять роль вспомогательного.
	(2) Установка часов ("CLOCK") ("ЧАСЫ")	• Установка использования или неиспользования функции часов
	(3) Установка функции таймера ("WEEKLY TIMER") ("НЕДЕЛЬНЫЙ ТАЙМЕР")	• Установка типа таймера
	(4) Установка контактного номера при возникновении ошибок ("CALL") ("ЗВОНОК")	• Отображение контактного номера в случае ошибки • Установка телефонного номера
4. Изменение дисплея ("DISP MODE SETTING") ("УСТАНОВКА РЕЖИМА ДИСПЛЕЯ")	(1) Установка отображения температуры в °C/°F ("TEMP MODE °C/°F") ("ТЕМПЕРАТУРНЫЙ РЕЖИМ °C/°F")	• Установка отображения температуры блока (°C или °F)
	(2) Установка отображения температуры всасывающего воздуха ("ROOM TEMP DISP SELECT") ("ВЫБОР ОТОБРАЖЕНИЯ КОМНАТНОЙ ТЕМПЕРАТУРЫ")	• Установка использования или неиспользования отображения температуры воздуха в помещении (всасываемого воздуха)
	(3) Установка отображения режима охлаждения/обогрева ("AUTO MODE DISP C/H") ("АВТ. ОТОБРАЖЕНИЕ РЕЖИМА ОХЛАЖДЕНИЕ/ОБОГРЕВ")	• Установка использования или неиспользования отображения "Охлаждение" или "Обогрев" во время работы в автоматическом режиме

# 8. Выбор функции

**[Блок-схема выбора функций]**  
Установка языка (Английский)

Нормальный дисплей  
(Отображается, когда кондиционер не работает)

Удерживайте кнопку (E) и нажимайте кнопку (D) в течение двух секунд.

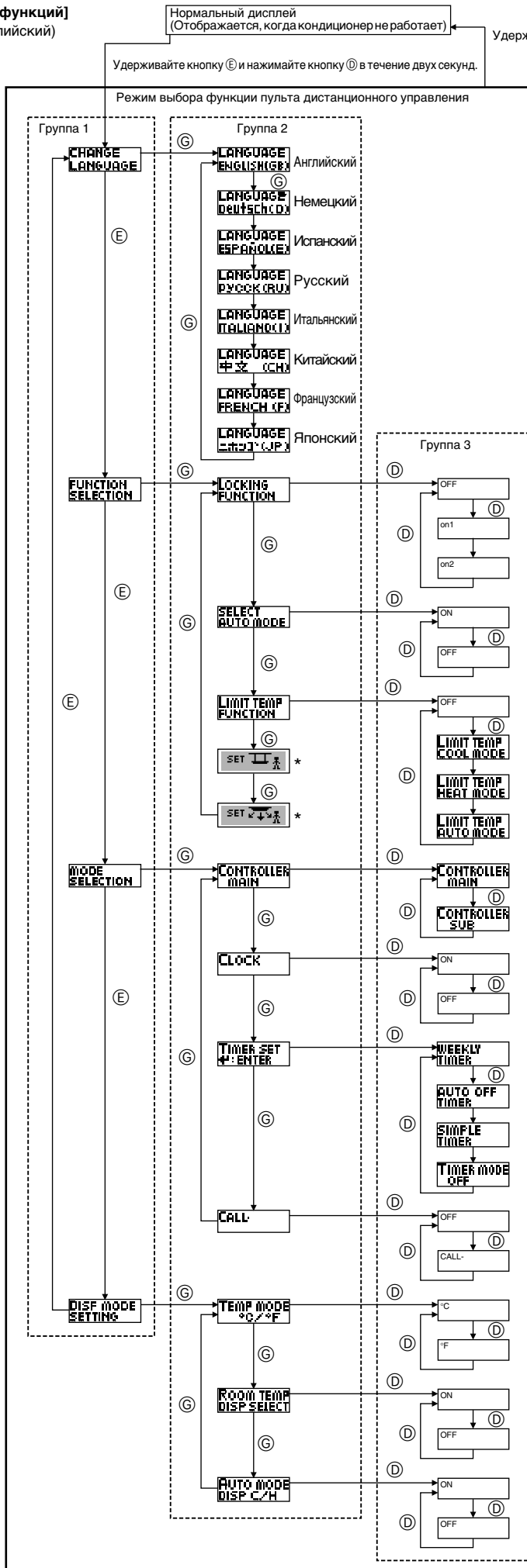
- (E) Нажмите кнопку рабочего режима.
- (G) Нажмите кнопку TIMER MENU (МЕНЮ ТАЙМЕРА).
- (D) Нажмите кнопку TIMER ON/OFF (ТАЙМЕР ВКЛ/ВЫКЛ).

Изменение языка

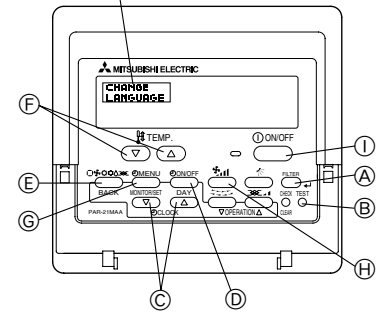
Выбор функции

Выбор режима

Установка режима дисплея



Точечный дисплей



Установка блокировки действия не используется. (Значение установки по умолчанию)

Установка блокировки действия за исключением кнопки Вкл/Выкл.

Установка блокировки действия для всех кнопок.

Автоматический режим отображается при выборе режима работы. (Значение установки по умолчанию)

Автоматический режим отображается при выборе режима работы.

Лимит диапазона температуры не активен. (Значение установки по умолчанию)

Диапазон температуры может быть изменен в режиме охлаждения/осушения.

Диапазон температуры может быть изменен в режиме обогрева.

Диапазон температуры может быть изменен в режиме обогрева. \*) Для данной модели эта функция недоступна.

Данный пульт дистанционного управления будет главным пультом. (Значение установки по умолчанию)

Данный пульт дистанционного управления будет вспомогательным пультом.

Может быть использована функция часов. (Значение установки по умолчанию)

Функция часов не может быть использована.

Недельный таймер не может быть использован. (Значение установки по умолчанию)

Таймер автоматического выключения не может быть использован.

Может быть использован обычный таймер.

Режим таймера не может быть использован.

В случае ошибки установленные контактные номера не отображаются. (Значение установки по умолчанию)

В случае ошибки отображаются установленные контактные номера.

Используется отображение температуры в °C. (Значение установки по умолчанию)

Используется отображение температуры в °F.

Отображается температура воздуха в помещении. (Значение установки по умолчанию)

Температура воздуха в помещении не отображается.

При активном автоматическом режиме отображается либо "Automatic cooling" (Автоматическое охлаждение) или "Automatic heating" (Автоматический обогрев). (Значение установки по умолчанию)

В автоматическом режиме отображается только "Automatic" (автоматический).

## 8. Выбор функции

### [Детальная установка]

#### [4]-1. Установка режима CHANGE LANGUAGE (ИЗМЕНЕНИЕ ЯЗЫКА)

Можно выбрать язык, который появляется на точечном дисплее.

- Для изменения языка нажимайте кнопку  $\odot$  [ $\ominus$  MENU (МЕНЮ)].
  - ① English (GB), ② German (D), ③ Spanish (E), ④ Russian (RU), ⑤ Italian (I), ⑥ Chinese (CH), ⑦ French (F), ⑧ Japanese (JP)

Refer to the dot display table.

#### [4]-2. Лимит функции

##### (1) Установка лимита рабочей функции (блокировка действия)

- Для выключения установок нажимайте кнопку  $\odot$  [ $\ominus$  ON/OFF (ВКЛ/ВЫКЛ)].
  - ① № 1 : Кроме кнопки [ $\ominus$  ON/OFF (ВКЛ/ВЫКЛ)], установка блокировки действия выполняется всеми кнопками.
  - ② № 2 : Установка блокировки работы выполняется всеми кнопками
  - ③ ВЫКЛ (значение установки по умолчанию):  
Установка блокировки работы не выполнена.
- \* Для выполнения правильной установки блокировки работы на нормальном экране необходимо нажать кнопки (одновременно нажимите и удерживайте кнопки [FILTER (ФИЛЬТР)] и [ $\ominus$  ON/OFF (ВКЛ/ВЫКЛ)] в течение двух секунд) на нормальном экране после выполнения установки, указанной выше.

##### (2) Использование установки автоматического режима

Когда пульт дистанционного управления подсоединен к блоку, который имеет автоматический режим работы, могут выполняться следующие установки.

- Для выключения установок нажимайте кнопку  $\odot$  [ $\ominus$  ON/OFF (ВКЛ/ВЫКЛ)].
  - ① ВКЛ (значение установки по умолчанию):  
Автоматический режим отображается при выборе режима работы.
  - ② ВЫКЛ:  
Автоматический режим отображается при выборе режима работы.

##### (3) Установка лимита температурного режима

После выполнения данной установки температура может изменяться в пределах заданного диапазона.

- Для выключения установок нажимайте кнопку  $\odot$  [ $\ominus$  ON/OFF (ВКЛ/ВЫКЛ)].
  - ① РЕЖИМ ЛИМИТА ТЕМПЕРАТУРЫ ОХЛАЖДЕНИЯ:  
Диапазон температуры может быть изменен в режиме охлаждения/осушения.
  - ② РЕЖИМ ЛИМИТА ТЕМПЕРАТУРЫ ОБОГРЕВА:  
Диапазон температуры может быть изменен в режиме обогрева.
  - ③ АВТОМАТИЧЕСКИЙ РЕЖИМ ЛИМИТА ТЕМПЕРАТУРЫ:  
Диапазон температуры может быть изменен в режиме обогрева.
  - ④ ВЫКЛ (значение установки по умолчанию):  
Лимит диапазона температуры не активен.
- \* Если выполняется любая установка, кроме ВЫКЛ, установка лимита диапазона температуры в режиме охлаждения, обогрева и в автоматическом режиме выполняется одновременно. Однако, диапазон не может быть ограничен, если установленный диапазон температур не изменен.
- Для увеличения или уменьшения температуры, нажмите кнопку [ $\uparrow$  TEMP. ( $\nabla$ ) или ( $\Delta$ )] кнопку  $\odot$ .
- Для переключения между установкой верхнего лимита и установкой нижнего лимита нажмите кнопку  $\odot$  [ $\updownarrow$ ]. Выбранная установка начнет мигать и может быть установлена температура.
- Задаваемые диапазоны  
Режим охлаждения/осушения:  
Нижний предел: 19°C ~ 30°C    Верхний предел: 30°C ~ 19°C  
Режим обогрева:  
Нижний предел: 17°C ~ 28°C    Верхний предел: 28°C ~ 17°C  
Автоматический режим:  
Нижний предел: 19°C ~ 28°C    Верхний предел: 28°C ~ 19°C
- \* Задаваемый диапазон отличается в зависимости от подсоединенного блока (блоки Mr. Slim, CITY MULTI блоки, а также блоки средних температур)

#### (4) Использование установки режима поднимания/опускания панели фильтра

Для данной модели эта функция недоступна.

#### (5) Использование установок режима фиксированного направления воздушного потока

Для данной модели эта функция недоступна.

#### [4]-3. Установка выбора режима

##### (1) Установка основного/вспомогательного пульта дистанционного управления

- Для выключения установок нажимайте кнопку  $\odot$  [ $\ominus$  ON/OFF (ВКЛ/ВЫКЛ)].
  - ① Главный:                    Данный пульт будет главным пультом.
  - ② Вспомогательный:        Данный пульт будет вспомогательным пультом.

##### (2) Использование установки часов

- Для выключения установок нажимайте кнопку  $\odot$  [ $\ominus$  ON/OFF (ВКЛ/ВЫКЛ)].
  - ① ВКЛ:        Может быть использована функция часов.
  - ② ВЫКЛ:      Функция часов не может быть использована.

##### (3) Установка функции таймера

- Для переключения установок нажимайте кнопку  $\odot$  [ $\ominus$  ON/OFF (ВКЛ/ВЫКЛ)] (Выберите одну из перечисленных ниже).
  - ① НЕДЕЛЬНЫЙ ТАЙМЕР (значение установки по умолчанию):  
Может быть использован недельный таймер.
  - ② ТАЙМЕР АВТОМАТИЧЕСКОГО ВЫКЛЮЧЕНИЯ:  
Может быть использован таймер автоматического выключения.
  - ③ ПРОСТОЙ ТАЙМЕР:  
Может быть использован простой таймер.
  - ④ РЕЖИМ ТАЙМЕРА ОТКЛЮЧЕН:  
Режим таймера не может быть использован.
- \* Если использование установки часов находится в положении OFF (ВЫКЛ), функция "WEEKLY TIMER" (НЕДЕЛЬНЫЙ ТАЙМЕР) не может быть использована.

##### (4) Установка контактного номера при возникновении ошибок

- Для выключения установок нажимайте кнопку  $\odot$  [ $\ominus$  ON/OFF (ВКЛ/ВЫКЛ)].
  - ① Функция CALL (ЗВОНОК) отключена:  
В случае ошибки установленные контактные номера не отображаются.
  - ② ЗВОНОК \*\*\*\* \* \* \* \* \*:  
В случае ошибки отображаются установленные контактные номера.  
ЗВОНОК\_:  
Контактный номер может быть установлен, когда дисплей находится в состоянии, показанном на рисунке слева.
- Установка контактных номеров  
Для установки контактных номеров выполняйте следующие действия. Переместите мигающий курсор к установленным номерам. Для перемещения курсора вправо (влево) нажимайте кнопку  $\odot$  [ $\rightarrow$  TEMP. ( $\nabla$ ) и кнопку ( $\Delta$ )]. Для установки чисел нажимайте кнопку  $\odot$  [ $\ominus$  CLOCK ( $\nabla$ ) и кнопку ( $\Delta$ )].

#### [4]-4. Установка изменений дисплея

##### (1) Установка отображения температуры °C/°F

- Для выключения установок нажимайте кнопку  $\odot$  [ $\ominus$  ON/OFF (ВКЛ/ВЫКЛ)].
  - ① °C:            Используется отображение температуры в °C.
  - ② °F:            Используется отображение температуры в °F.

##### (2) Установка отображения температуры всасываемого воздуха

- Для выключения установок нажимайте кнопку  $\odot$  [ $\ominus$  ON/OFF (ВКЛ/ВЫКЛ)].
  - ① ВКЛ:        Отображается температура всасываемого воздуха.
  - ② ВЫКЛ:      Температура всасываемого воздуха не отображается.

##### (3) Установка отображения автоматического охлаждения/обогрева

- Для выключения установок нажимайте кнопку  $\odot$  [ $\ominus$  ON/OFF (ВКЛ/ВЫКЛ)].
  - ① ВКЛ:  
При активном автоматическом режиме отображается либо "Automatic cooling" (Автоматическое охлаждение) или "Automatic heating" (Автоматический обогрев).
  - ② ВЫКЛ:  
В автоматическом режиме отображается только "Automatic" (автоматический).

## 8. Выбор функции

[Таблица точечного дисплея]

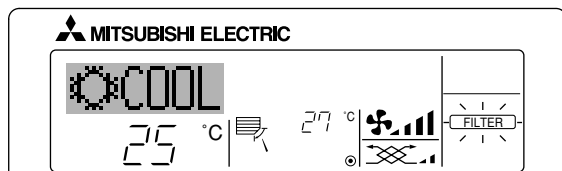
Выбор языков	Английский	Немецкий	Испанский	Русский	Итальянский	Китайский	Французский	Японский	
Ожидание запуска	PLEASE WAIT	←	←	←	←	←	←	←	
Рабочий режим	Охлаждение	COOL	Kühlen	FRÍO	Холод	COOL	制冷	FROID	冷房
	Осушение	DRY	Trocknen	DESHUMIDIFICACION	Сушка	DRY	除湿	DESHU	ドライ
	Обогрев	HEAT	Heizen	CALOR	Тепло	HEAT	制热	CHAUD	暖房
	Автоматический	AUTO	AUTO	AUTOMÁTICO	Авто	AUTO	自动	AUTO	自動
	Авто (Охлаждение)	COOL	Kühlen	FRÍO	Холод	COOL	制冷	FROID	冷房
	Авто (Обогрев)	HEAT	Heizen	CALOR	Тепло	HEAT	制热	CHAUD	暖房
	Вентилятор	FAN	Lüfter	VENTILACION	Вент	VENTILAZIONE	送风	VENTILATION	送風
	Вентиляция	VENTILATION	Gebläse Betrieb	VENTILACION	ВЕНТИЛЯЦИЯ	ARIA ESTERNA	换气	VENTILATION	換気
	Режим готовности (горячая настройка)	STAND BY	STAND BY	CALENTANDO	ОБОГРЕВ: ПИУЗА	STAND BY	准备中	PRE CHAUFFAGE	準備中
Размораживание	DEFROST	Altquen	DESCONGELACION	ОТТАВЛИВАНИЕ	SGRINAMENTO	除霜中	DEGIVRAGE	霜取中	
Установите температуру	SET TEMP	TEMP einstellen	TEMP. CONSIGNA	ЦЕЛЕВАЯ ТЕМПЕРАТУРА	IMPOSTAZIONE TEMPERATURA	设定温度	REGLAGE TEMPERATURE	設定温度	
Скорость вентилятора	FAN SPEED	Lüfterseschwindigkeit	VELOCIDAD VENTILADOR	СКОРОСТЬ ВЕНТИЛЯТОРА	VELOCITA' VENTILATORE	风速	VITESSE DE VENTILATION	風速	
Неиспользуемая кнопка	NOT AVAILABLE	nicht verfügbar	NO DISPONIBLE	НЕ ДОСТУПНО	NON DISPONIBILE	无效按钮	NON DISPONIBILE	無効ボタン	
Проверка (Ошибок)	CHECK	Prüfen	COMPROBAR	ПРОВЕРКА	CHECK	检查	CONTROLE	点検	
Пробный запуск	TEST RUN	Testbetrieb	TEST FUNCIONAMIENTO	ТЕСТОВЫЙ ЗАПУСК	TEST RUN	试运转	TEST	試運転	
Самопроверка	SELF CHECK	Selbst-diagnose	AUTO REVISION	САМОДИАГНОСТИКА	SELF CHECK	自我诊断	AUTO CONTROLE	自己診断	
Выбор функций блока	FUNCTION SELECTION	Funktion Auswahl	SELECCIÓN DE FUNCION	ВЫБОР ФУНКЦИИ	SELEZIONE FUNZIONI	功能选择	SELECTION FONCTIONS	メニュー選択	
Установка вентиляции	SETTING OF VENTILATION	Lüfterstufen wählen	CONFIG. VENTILACION	НАСТРОЙКА ВЕНТУСТАН.	IMPOSTAZIONE ARIA ESTERNA	换气设定	SELECTION VENTILATION	換気設定	

Выбор языков	Английский	Немецкий	Испанский	Русский	Итальянский	Китайский	Французский	Японский
ИЗМЕНЕНИЕ ЯЗЫКА	CHANGE LANGUAGE	←	←	←	←	←	←	←
Выбор функции	FUNCTION SELECTION	Funktion auswählen	SELECCIÓN DE FUNCIONES	ВЫБОР ФУНКЦИИ	SELEZIONE FUNZIONI	功能限制	SELECTION FONCTIONS	メニュー制限
Установка лимита рабочей функции	LOCKING FUNCTION	Sperre - Funktion	FUNCION BLOQUEADA	ФУНКЦИЯ БЛОКИРОВКИ	BLOCCO FUNZIONI	操作限制	BLOCAGE FONCTIONS	操作禁止
Использование установки автоматического режима	SELECT AUTO MODE	Auswahl auto Betrieb	SELECCIÓN MODO AUTO	ВЫБОР РЕЖИМА АВТО	SELEZIONE MODO AUTO	自动模式	SELECTION DU MODO AUTO	自動モード
Установка лимита температурного режима	LIMIT TEMP FUNCTION	Limit Temp Funktion	LIMIT TEMP CONSIGNA	ОГРАНИЧЕНИЕ УСТ. ТЕМПЕРАТ	LIMITAZIONE TEMPERATURA	温度限制	LIMITATION TEMPERATURE	温度制限
Использование установки режима поднимания/опускания панели фильтра	SET	←	←	←	←	←	←	←
Использование установок режима фиксированного направления воздушного потока	SET	←	←	←	←	←	←	←
Режим лимита температуры охлаждения/день	LIMIT TEMP COOL MODE	Limit Kühl Temp	LIMIT TEMP MODO FRIO	ОГРАНИЧЕНО ОХЛАЖДЕНИЕ	LIMITAZIONE MODO COOL	制冷范围	LIMITE TEMP MODO FROID	制冷房
Режим обогрева с лимитом температуры	LIMIT TEMP HEAT MODE	Limit Heiz Temp	LIMIT TEMP MODO CALOR	ОГРАНИЧЕН ОБОГРЕВ	LIMITAZIONE MODO HEAT	制热范围	LIMITE TEMP MODO CHAUD	制热房
Автоматический режим с лимитом температуры	LIMIT TEMP AUTO MODE	Limit Auto Temp	LIMIT TEMP MODO AUTO	ОГРАНИЧЕНО АВТО	LIMITAZIONE MODO AUTO	自动范围	LIMITE TEMP MODO AUTO	制自动
Выбор режима	MODE SELECTION	Betriebsart wählen	SELECCIÓN DE MODO	ВЫБОР РЕЖИМА	SELEZIONE MODO	基本模式	SELECTION DU MODO	基本メニュー
ОСНОВНАЯ установка пульта дистанционного управления	CONTROLLER MAIN	Haupt Controller	CONTROL PRINCIPAL	ОСНОВНОЙ ПУЛЬТ	CONTROLLO MAIN	遥控主	TEKOMMANDE MAITRE	リモコン 主
ВСПОМОГАТЕЛЬНАЯ установка пульта дистанционного управления	CONTROLLER SUB	Neben Controller	CONTROL SECUNDARIO	ДОПОЛНИТЕЛЬНЫЙ ПУЛЬТ	CONTROLLO SUB	遥控辅	TEKOMMANDE ESCLAVE	リモコン 主
Использование установок часов	CLOCK	Uhr	RELOJ	Часы	OROLOGIO	时钟	AFFICHAGE HORLOGE	時計
Установка дня недели и времени	TIME SET	Uhr stellen  einstellen	CONFIG RELOJ  CONFIG	ЧАСЫ: УСТ.  ВВОД	OROLOGIO  ENTER	时间  ENTER	HORLOGE  ENTRER	トケイセッテイ  カクテイ
Установка таймера	TIMER SET	Zeitschaltuhr  einstellen	TEMPORIZA - DOR  CONFIG	ТАЙМЕР: УСТ.  ВВОД	TIMER  ENTER	定时器  ENTER	PROG HORAIRES  ENTRER	タイマーセッテイ  カクテイ
Просмотр таймера	TIMER MONITOR	Uhrzeit Anzeige	VISUALIZAR TEMPORIZAD.	ПРОСМОТР ТАЙМЕРА	VISUALIZ TIMER	定时器状态	AFFICHAGE PROG HORAIRES	タイマーモニター
Недельный таймер	WEEKLY TIMER	Wochenzeit schalt Uhr	TEMPORIZA - DOR SEMANAL	НЕДЕЛЬНЫЙ ТАЙМЕР	TIMER SETTIMANALE	每周定时器	PROG HEBDO MAIRRE	タイマー 週間
Режим таймера выключен	TIMER MODE OFF	Zeitschaltuhr AUS	TEMPORIZA - DOR APAGADO	ТАЙМЕР ВЫКЛ.	TIMER OFF	定时器无效	PROG HORAIRES INACTIF	タイマー 無効
Таймер автоматического выключения	AUTO OFF TIMER	AUTO Zeit funktion AUS	APAGADO AUTOMÁTICO	АВТОМАТИЧ. ПО ТАЙМЕРУ	AUTO OFF TIMER	解除定时	PROG HORAIRES ARRET AUTO	タイマー 自動消
Обычный таймер	SIMPLE TIMER	Einfache Zeitfunktion	TEMPORIZA - DOR SIMPLE	ПРОСТОЙ ТАЙМЕР	TIMER SEMPLIFICATO	简易定时器	PROG HORAIRES SIMPLIFIE	タイマー カンイ
Установка контактного номера в случае ошибки	CALL	←	←	←	←	←	←	←
Изменение дисплея	DISP MODE SETTING	Anzeige Betriebsort	MOstrar MODO	НАСТРОЙКА ИНА РЕЖИМА	IMPOSTAZIONE MODO DISPLAY	转换表示	AFFICHAGE SOUS MENU	表示切替
Установка отображения температуры °C/°F	TEMP MODE	Wachsel  °C/°F	TEMP GRADOS  °C/°F	ЕДИН. ТЕМП.  °C/°F	TEMPERATURA  °C/°F	温度  °C/°F	TEMPERATURE  °C/°F	温度  °C/°F

## 8. Выбор функции

Выбор языков	Английский	Немецкий	Испанский	Русский	Итальянский	Китайский	Французский	Японский
Установка отображения комнатной температуры	ROOM TEMP DISP SELECT	ROOM TEMP zeigeln	MOSTRAR TEMP.	ПОКАЗЫВАТЬ TEMP. В КОМН.	TEMPERATURA AMBIENTE	吸入温度	TEMPERATURE AMBIANTE	室温表示
Установка отображения автоматического охлаждения/обогрева	AUTO MODE DISP C/H	Auto Betrieb C/H	MOSTRAR F/C EN AUTO	Инд. T/X В РЕЖИМЕ АВТО	AUTO C/H	自动表示	AFFICHAGE AUTO F/C	自動表示

## 9. Очистка и уход



- Указывает на необходимость очистки фильтра.

Почистите фильтр.

- При повторной установке дисплея "FILTER (ФИЛЬТР)"

При двойном последовательном нажатии кнопки [FILTER (Фильтр)] после очистки фильтра происходит сброс и выключение дисплея.

Примечание:

- При управлении двумя или более внутренними блоками разного типа период очистки отличается в зависимости от типа фильтра. Когда подходит время очистки главного блока, на дисплее появляется индикация "FILTER (Фильтр)": При выключении дисплея фильтра происходит сброс кумулятивного времени.
- Индикация "FILTER (Фильтр)" отображает период очистки, когда кондиционер эксплуатировался при общих условиях воздуха в помещении по критерию времени. Так как степень загрязнения зависит от условий окружающей среды, выполняйте очистку соответственно.
- Для каждой модели кумулятивное время периода очистки фильтра отличается.
- Данная индикация недоступна для беспроводного пульта дистанционного управления.

### ► Очистка фильтров

- Чистите фильтры с помощью пылесоса. Если нет пылесоса, слегка постучайте фильтры о твердые предметы, чтобы выбить грязь и пыль.
- Если фильтры слишком загрязнены, промойте их в теплой воде. Перед обратной установкой фильтров в блок не забудьте их тщательно выполоскать и полностью просушить.

⚠ Осторожно:

- Не сушите фильтры на открытом солнце или с использованием источников тепла, например, электрического нагревателя. Это может привести к их деформации.
- Не промывайте фильтры в горячей воде (свыше 50°C), это также может привести к их деформации.
- Убедитесь в том, что воздушные фильтры всегда установлены. Эксплуатация блока без воздушных фильтров может привести к неисправности.

⚠ Осторожно:

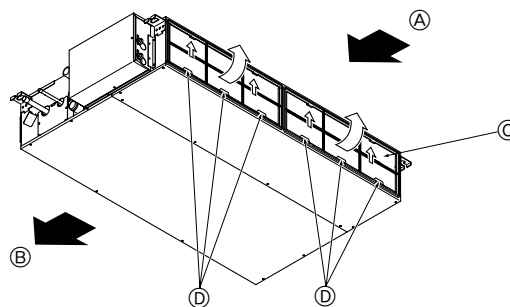
- Перед началом очистки остановите работу кондиционера и **ВЫКЛЮЧИТЕ** электропитание.
- Для удаления пыли всасываемого воздуха во внутренних блоках установлены фильтры. Очистку фильтров следует выполнять методами, показанными на следующих иллюстрациях.

### ► Снятие фильтра

⚠ Осторожно:

- Во время снятия фильтра, во избежание попадания пыли в глаза, должны соблюдаться меры предосторожности. Также, выполняя данную работу с использованием табурета, будьте осторожны, не упадите.
- После снятия фильтра не касайтесь металлических частей внутри блока, иначе, это может привести к травме.

### ■ SEZ-KD-VAQ



- Поднимая ручку фильтра, потяните за нее.

- А Воздухоприемник
- Б Воздуховыпускное отверстие
- С Фильтр
- Д Ручка

## 10. Устранение неисправностей

Существует проблема?	Предлагается решение. (Блок работает нормально.)
Кондиционер не обогревает или не охлаждает должным образом.	<ul style="list-style-type: none"> <li>■ Почистите фильтр. (При загрязненном или забитом фильтре поток воздуха уменьшается.)</li> <li>■ Проверьте и настройте установленную температуру.</li> <li>■ Убедитесь в наличии достаточного пространства вокруг наружного блока. Не заблокированы ли воздухоприемник и воздуховыпускное отверстие внутреннего блока?</li> <li>■ Не открыты ли дверь или окно?</li> </ul>
При включении режима обогрева теплый воздух подается не сразу.	<ul style="list-style-type: none"> <li>■ Теплый воздух не подается до тех пор, пока внутренний блок достаточно не прогреется.</li> </ul>
Во время обогрева, при достижении установленного значения температуры в помещении кондиционер останавливается.	<ul style="list-style-type: none"> <li>■ При низкой температуре и высокой влажности на наружном блоке может образовываться иней. В таком случае наружный блок выполняет процедуру размораживания. Нормальная работа должна начаться примерно через 10 минут.</li> </ul>
При изменении направления потока воздуха, перед окончательной остановкой в новом положении, лопасти всегда двигаются вверх и вниз от ранее установленного положения.	<ul style="list-style-type: none"> <li>■ При изменении направления потока воздуха, лопасти передвигаются в установленное положение после определения базового положения.</li> </ul>
При этом может быть слышен звук протока воды или случайное шипение.	<ul style="list-style-type: none"> <li>■ Подобные звуки могут быть слышны, когда хладагент протекает внутри кондиционера или при изменении направления потока хладагента.</li> </ul>
Слышны скрип и треск.	<ul style="list-style-type: none"> <li>■ Подобные звуки могут быть слышны, когда внутренние детали трутся друг о друга, из-за сужения и расширения от перепада температуры.</li> </ul>
В комнате стоит неприятный запах	<ul style="list-style-type: none"> <li>■ Внутренний блок всасывает воздух, содержащий газы, выделяемые стенами, ковровыми покрытиями и мебелью, а также запахи одежды, после чего вдувает этот воздух в помещение.</li> </ul>
Из внутреннего блока выступает белый туман или пар.	<ul style="list-style-type: none"> <li>■ Подобное явление может происходить, если в помещении высокая температура и влажность.</li> <li>■ Во время режима размораживания поток холодного воздуха может выдвигаться вниз и проявляться в виде тумана.</li> </ul>
Из внутреннего блока выступает вода или пар.	<ul style="list-style-type: none"> <li>■ Во время охлаждения на трубах охлаждения и соединениях может образовываться и капать вода.</li> <li>■ Во время обогрева на теплообменнике может образовываться и капать вода.</li> <li>■ Во время режима размораживания вода на теплообменнике испаряется, что приводит к выпуску водяного пара.</li> </ul>
Индикатор действия не отображается на дисплее пульта дистанционного управления.	<ul style="list-style-type: none"> <li>■ Включите выключатель питания. На дисплее пульта дистанционного управления появится индикация "☉".</li> </ul>
На дисплее пульта дистанционного управления появится индикация "🔌".	<ul style="list-style-type: none"> <li>■ При центральном управлении, на дисплее пульта дистанционного управления появляется индикация "🔌" и действия кондиционера невозможно начать или завершить, используя пульт дистанционного управления.</li> </ul>
При повторном включении после остановки кондиционер не работает, даже если нажата кнопка ON/OFF (ВКЛ/ВЫКЛ).	<ul style="list-style-type: none"> <li>■ Подождите около трех минут. (Действие остановлено с целью защиты кондиционера.)</li> </ul>
Кондиционер работает без нажатия кнопки ON/OFF (ВКЛ/ВЫКЛ).	<ul style="list-style-type: none"> <li>■ Установлен ли таймер включения? Для остановки действия нажмите кнопку ON/OFF (ВКЛ/ВЫКЛ).</li> <li>■ Подсоединен ли кондиционер к центральному пульту дистанционного управления? Проконсультируйтесь у специалистов по обслуживанию кондиционеров.</li> <li>■ Появляется ли на дисплее пульта дистанционного управления индикация "🔌"? Проконсультируйтесь у специалистов по обслуживанию кондиционеров.</li> <li>■ Установлена ли функция автоматического восстановления от перебоев электропитания? Для остановки действия нажмите кнопку ON/OFF (ВКЛ/ВЫКЛ).</li> </ul>
Кондиционер останавливается без нажатия кнопки ON/OFF (ВКЛ/ВЫКЛ).	<ul style="list-style-type: none"> <li>■ Установлен ли таймер выключения? Для повторного запуска действия нажмите кнопку ON/OFF (ВКЛ/ВЫКЛ).</li> <li>■ Подсоединен ли кондиционер к центральному пульту дистанционного управления? Проконсультируйтесь у специалистов по обслуживанию кондиционеров.</li> <li>■ Появляется ли на дисплее пульта дистанционного управления индикация "🔌"? Проконсультируйтесь у специалистов по обслуживанию кондиционеров.</li> </ul>
Функция таймера пульта дистанционного управления не может быть установлена.	<ul style="list-style-type: none"> <li>■ Неправильные настройки таймера? Если таймер может быть установлен, на дисплее пульта дистанционного управления отображаются индикации (WEEKLY), (SIMPLE), или (AUTO OFF).</li> </ul>
На дисплее пульта дистанционного управления появится индикация "PLEASE WAIT" (ПОЖАЛУЙСТА, ПОДОЖДИТЕ).	<ul style="list-style-type: none"> <li>■ Будут выполнены установки по умолчанию. Подождите около трех минут.</li> </ul>
На дисплее пульта дистанционного управления появится код ошибки.	<ul style="list-style-type: none"> <li>■ Для защиты кондиционера сработали устройства защиты.</li> <li>■ Не пытайтесь ремонтировать данное оборудование самостоятельно. Немедленно отключите питание и обратитесь за консультацией к Вашему дилеру. Не забудьте сообщить дилеру наименование модели, а также информацию, которая появилась на дисплее пульта дистанционного управления.</li> </ul>
Слышен звук стекающей воды или звук вращения мотора.	<ul style="list-style-type: none"> <li>■ После завершения охлаждения дренажный насос работает и затем останавливается. Подождите около трех минут.</li> </ul>

## 10. Устранение неисправностей

Существует проблема?	Предлагается решение. (Блок работает нормально.)												
Уровень шума выше, чем указано в спецификации.	<p>■ Уровень звука работы в помещении определяется акустикой в каждой конкретной комнате, как показано в следующей таблице, и он будет выше, чем спецификация шума, который был замерен в безэховой комнате.</p> <table border="1"> <thead> <tr> <th></th> <th>Высокие звукопоглощающие комнаты</th> <th>Нормальные комнаты</th> <th>Низкие звукопоглощающие комнаты</th> </tr> </thead> <tbody> <tr> <td>Примеры расположения</td> <td>Радиовещательная студия, музыкальная комната и т.д.</td> <td>Приемная, вестибюль гостиницы и т.д.</td> <td>Офис, гостиничный номер</td> </tr> <tr> <td>Уровни шума</td> <td>от 3 до 7 дБ</td> <td>от 6 до 10 дБ</td> <td>от 9 до 13 дБ</td> </tr> </tbody> </table>		Высокие звукопоглощающие комнаты	Нормальные комнаты	Низкие звукопоглощающие комнаты	Примеры расположения	Радиовещательная студия, музыкальная комната и т.д.	Приемная, вестибюль гостиницы и т.д.	Офис, гостиничный номер	Уровни шума	от 3 до 7 дБ	от 6 до 10 дБ	от 9 до 13 дБ
	Высокие звукопоглощающие комнаты	Нормальные комнаты	Низкие звукопоглощающие комнаты										
Примеры расположения	Радиовещательная студия, музыкальная комната и т.д.	Приемная, вестибюль гостиницы и т.д.	Офис, гостиничный номер										
Уровни шума	от 3 до 7 дБ	от 6 до 10 дБ	от 9 до 13 дБ										
На дисплее пульта дистанционного управления ничего не появляется, дисплей тусклый или внутренний блок не получает сигналы, пока пульт дистанционного управления закрыт.	<p>■ Низкий заряд батареи. Замените батареи и нажмите кнопку Reset (Сброс).</p> <p>■ Если на дисплее ничего не появляется, даже после замены батарей, убедитесь в том, что батареи установлены правильно (+, -).</p>												
Горит лампочка работы около ресивера для беспроводного пульта дистанционного управления.	<p>■ Для защиты кондиционера сработала функция самодиагностики.</p> <p>■ Не пытайтесь ремонтировать данное оборудование самостоятельно. Немедленно отключите питание и обратитесь за консультацией к Вашему дилеру. Не забудьте сообщить дилеру наименование Вашей модели.</p>												

## 11. Установка, перемещение и проверка

### Место установки

Избегайте установки кондиционера в следующих местах.

- В местах возможной утечки огнеопасного газа.

### ⚠ Осторожно:

Не устанавливайте аппарат в местах, где возможна утечка горючего газа. Утечка и скопление газа вокруг блока может привести к взрыву.

- Места хранения большого количества машинного масла.
- В местах с содержанием соли, например, на побережье.
- В местах выделения сульфидных газов, например вблизи горячих термальных источников.
- В местах распыливания масла или насыщенного масляного дыма.

### ⚠ Внимание:

Если кондиционер работает, но не охлаждает и не обогревает (в зависимости от модели) комнату, обратитесь к Вашему дилеру, так как это может привести к утечке хладагента. Не забудьте спросить представителя сервисной службы, была ли утечка хладагента во время ремонта кондиционера.

Хладагент, заправленный в кондиционер, безопасен. Как правило, хладагент не протекает, однако, если пары хладагента все-таки протекают и контактируют с огнем тепловентилятора, комнатного электрокамина, печки и т.д., будут образовываться вредные вещества.

### Электротехнические работы

- Обеспечьте отдельный контур для электропитания кондиционера.
- Обратите внимание на характеристики прерывателя.

### ⚠ Внимание:

- Установка данного блока не должна выполняться пользователем. Если блок установлен неправильно, это может привести к возгоранию, поражению электрическим током, травматизму из-за падения блока, протеканию воды и т.д.
- Не выполняйте соединения с помощью разветвлений или удлинителей, а также не давайте большую нагрузку на одну сетевую розетку. Недостаточный контакт, слабая изоляция, превышение допустимого напряжения и т.д. могут привести к поражению электрическим током или возгоранию. Обратитесь к Вашему дилеру за консультацией.

### ⚠ Осторожно:

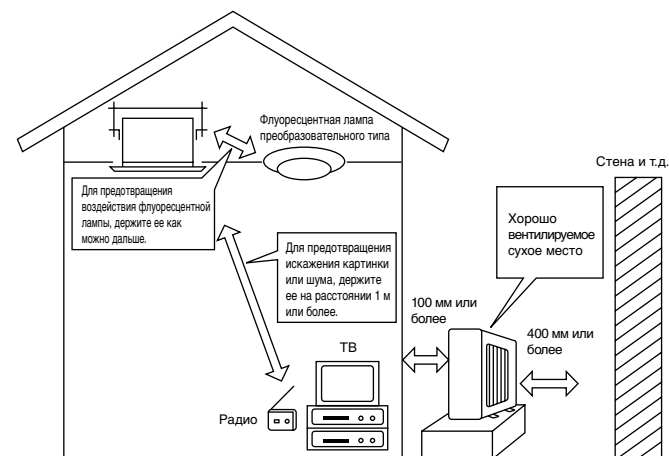
#### • Применение заземления

Не подсоединяйте провод заземления к газовой и водяной трубе, молниеотводу или проводу заземления телефонна. Неправильное заземление может привести к поражению электрическим током.

- Установите прерыватель утечки на землю, в зависимости от места установки кондиционера (влажное место и т.д.)
- Отсутствие прерывателя утечки на землю может привести к поражению электрическим током.

### Проверка и техническое обслуживание

- Когда кондиционер эксплуатируется на протяжении нескольких времен года, его мощность может уменьшиться из-за загрязнения внутри блока.
- В зависимости от условий эксплуатации, может выделяться запах или же грязь, пыль и т.д. могут препятствовать нормальному дренажированию.
- Наряду с обычным техническим обслуживанием, рекомендуется проводить проверку и техническое обслуживание специалистом. Обратитесь к Вашему дилеру за консультацией.





## 11. Установка, перемещение и проверка

### Также рассматривает рабочий шум

- Не располагайте никаких объектов вокруг воздуховыпускного отверстия наружного блока. Это может привести к падению мощности или повышению рабочего шума кондиционера.
- Если во время работы слышны нехарактерные звуки, обратитесь к Вашему дилеру.

### Изменение местоположения

- Если кондиционер должен перемещаться или переустанавливаться из-за капитального ремонта, изменения местоположения и т.д., потребуется специальное оборудование и работа.

### ⚠ Внимание:

Ремонт и изменение местоположения не должны выполняться пользователем.

Если указанные действия выполнены неправильно, это может привести к поражению электрическим током, возгоранию, травматизму из-за падения блока, утечке воды и т.д. Обратитесь к Вашему дилеру за консультацией.

### Снятие с эксплуатации

- Если Вы хотите избавиться от этого изделия, проконсультируйтесь с Вашим дилером.

По всем вопросам обращайтесь к Вашему дилеру.

## 12. Спецификации

Модель		SEZ-KD25VAQ	SEZ-KD35VAQ	SEZ-KD50VAQ	SEZ-KD60VAQ	SEZ-KD71VAQ
Электропитание		~/N, 230V, 50Hz/220-230V, 60Hz				
Вход (Только внутренний блок)	кВ	0,04	0,05	0,07	0,07	0,10
Электрический ток (Только внутренний блок)	А	0,39	0,46	0,63	0,63	0,84
Поток воздуха (Низкий-Средний-Высокий)	СММ	5,5-7-9	7-9-11	10-12,5-15	12-15-18	12-16-20
Внешнее статическое давление	Па	5/15/35/50	5/15/35/50	5/15/35/50	5/15/35/50	5/15/35/50
Уровень шума (Низкий-Средний-Высокий)	дБ	23-26-30	23-28-33	30-34-37	30-34-38	30-35-40
Размеры (В×Ш×Г)	мм	200×790×700	200×990×700	200×990×700	200×1190×700	200×1190×700
Вес	кг	18	21	23	27	27

### Примечания:

1. Спецификации могут изменяться без предупреждения.
2. Внешнее статическое давление устанавливается до 15 Па в заводских условиях.

### Гарантированный рабочий диапазон

		Внутренний	Наружный		
			SUZ-KA25, 35VA	SUZ-KA50, 60, 71VA	SUZ-KA-NA
Охлаждение	Верхний предел	32°C DB, 23°C WB	46°C DB, –	43°C DB, –	
	Нижний предел	21°C DB, 15°C WB	-10°C DB, –		18°C DB, –
Обогрев	Верхний предел	27°C DB, –	24°C DB, 18°C WB		
	Нижний предел	20°C DB, –	-10°C DB, -11°C WB		

Блоки должны устанавливаться подрядчиком, имеющим лицензию на данный вид деятельности, в соответствии с требованиями местного законодательства.

---

This product is designed and intended for use in the residential,  
commercial and light-industrial environment.

The product at hand is based on the following EU regulations:

- Low Voltage Directive 2006/95/ EC
- Electromagnetic Compatibility Directive 2004/108/ EC

Please be sure to put the contact address/telephone number on  
this manual before handing it to the customer.